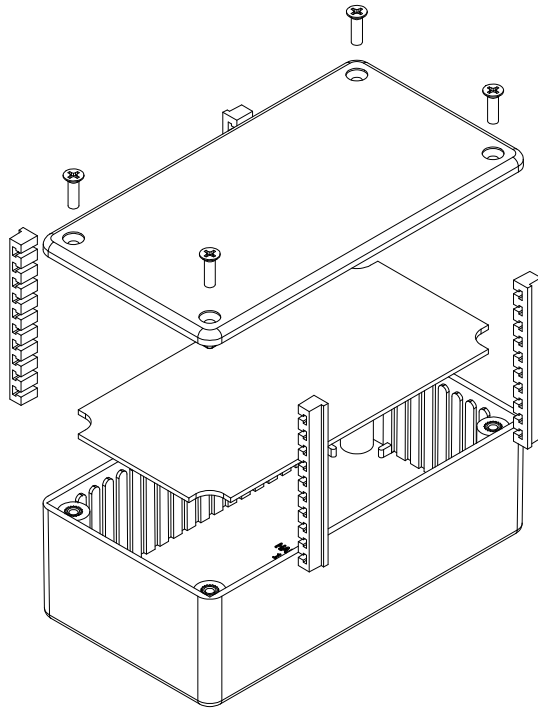


1.

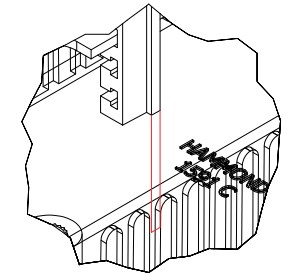
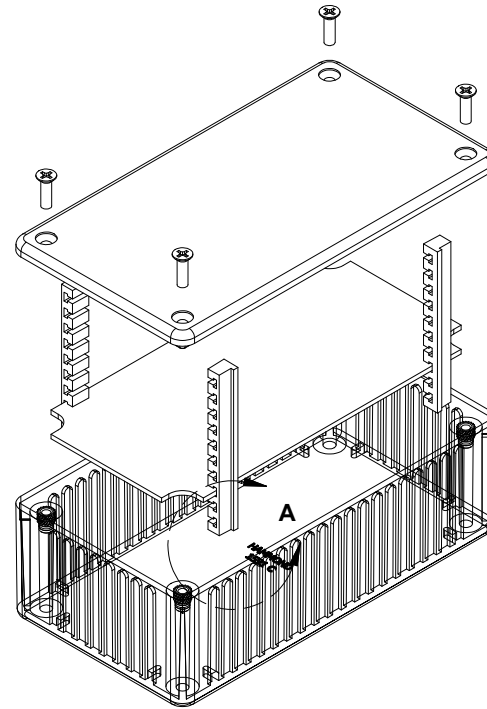
ATTACH CLIPS ON SAME LEVEL TO P.C.BOARD.

RECOMMENDED PCB THICKNESS
1.5mm - 1.75mm



2.

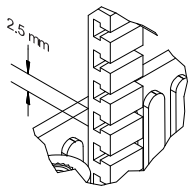
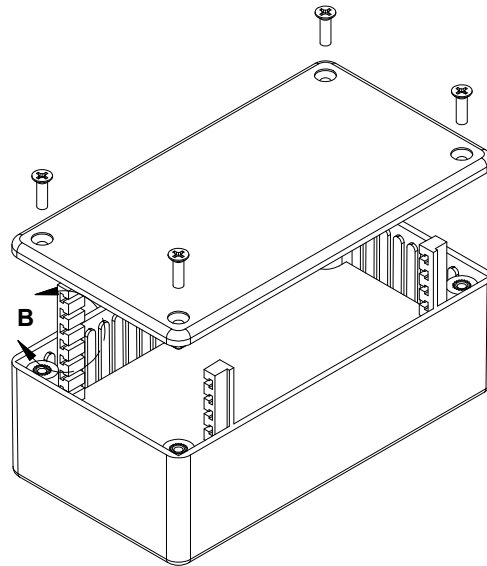
ALIGN ALL SMALL TABS ON THE CLIPS TO THE SLOTS ON THE BOX. INSERT P.C.BOARD ASSEMBLY INTO BOX.



DETAIL A

3.

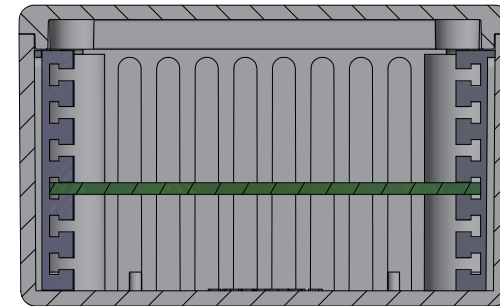
CUT THE CLIPS 2.1mm - 2.5mm FROM THE TOP OF THE BOX



DETAIL B

4.

INSTALL COVER SCREWS TO THE RECOMMENDED TORQUE
42-57 ozf.in (30-40 cN.m)



PART NUMBERS

PC Board Card Adapters	1591Z6 (6Pkg)
	1591Z50 (50 Pkg)
	1591Z100 (100Pkg)

HAMMOND MANUFACTURING
 CARD ADAPTOR INSTRUCTIONS
www.hammondmfg.com