

**HAMMOND  
MANUFACTURING®**

**POWER - TOROIDAL  
GLOBAL USE  
182 SERIES**



### **Key Features:**

- Low profile, lightweight, cool running - due to high efficiency toroidal design
- Dual 117/234 VAC primary, 50/60 Hz. operation
- Center single hole mounting. Units over 225VA include a potted center for extra mounting strength.
- Supplied with two rubber insulating pads, one metal centering washer and all mounting hardware (160VA and under)
- Center bolt size varies with VA
- Minimum 8" long flexible leads
- Hi-Pot test of 4,000V RMS between primary & secondary
- CSA certified TO C22.2 #66 - CSA FILE # 209651
- UL recognized to UL 506 - UL file # E207860
- CE certified to IEC 950

For more information on this series, go to:

<https://www.hamfmfg.com/electronics/transformers/power/182>

### **Note about Inrush Current:**

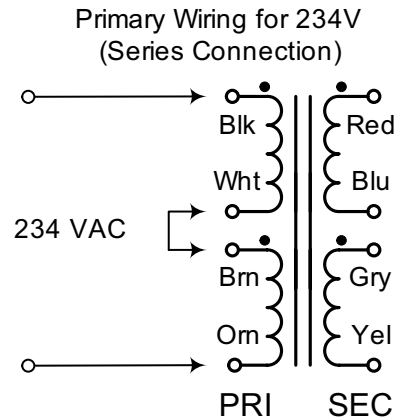
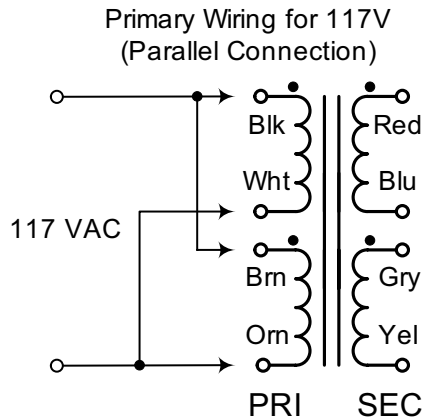
Due to the superior magnetic properties of Toroidal transformers they will be susceptible to high magnetizing current when initially energized, only limited by the low DC resistance of the primary winding. Depending on where you are in the AC cycle when the transformer is energized dictates the chances of overloading the supply circuit. This is why the transformer may sometimes energize without a problem and other times it will blow the fuse or trip the circuit breaker. The duration of this overload is rarely longer than a half of a cycle. Therefore, you should consider using a slow-blow fuse, time delayed circuit breaker or other form of soft start circuitry for the supply line when using these high efficient Toroidal transformers.

**[www.hammondmfg.com](http://www.hammondmfg.com)**

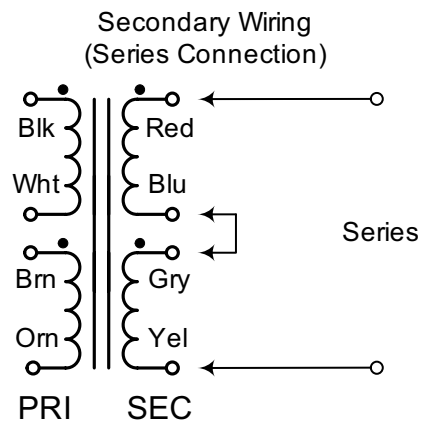
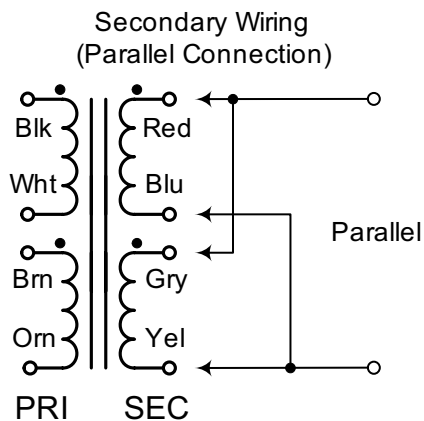
# Connection Information

## 182 Series Toroidal Power Transformers

### Primary Connections - 182 Series Transformers



### Secondary Connections - 182 Series Transformers



Secondary Wiring  
(Only Single Secondary Models)

