

Purpose

To understand the process of Reversing Airflow direction on Filter Fans

Unit Type

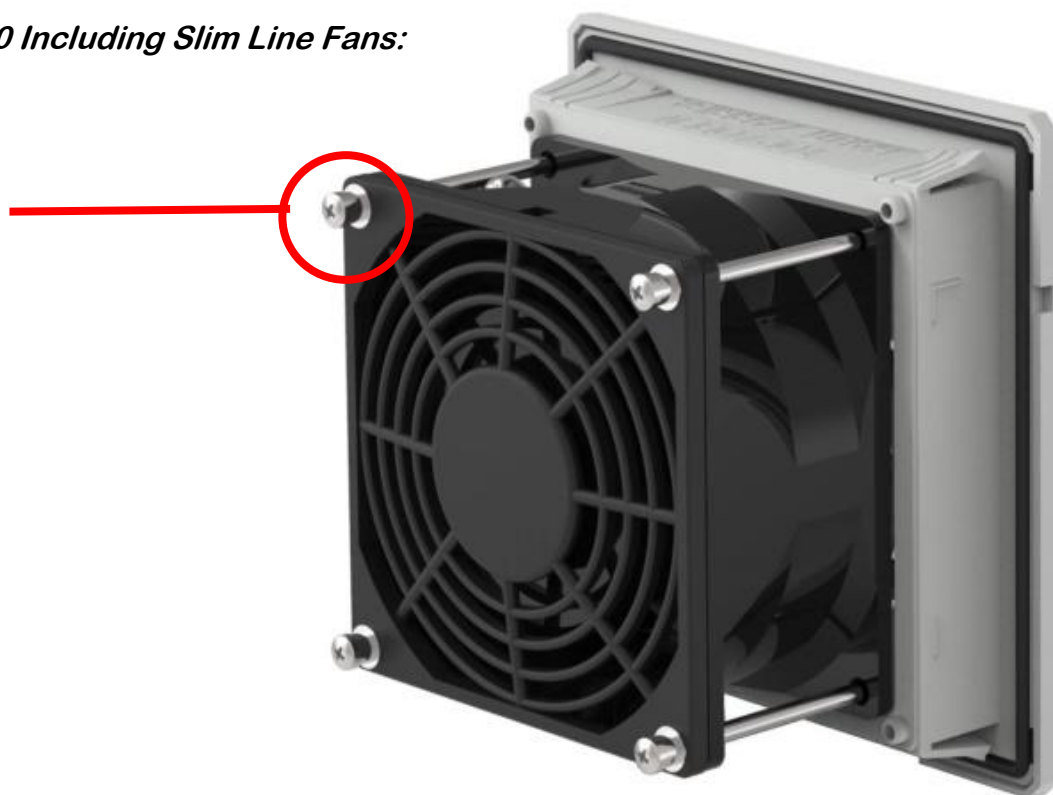
4th Generation Filter Fans

Model Type

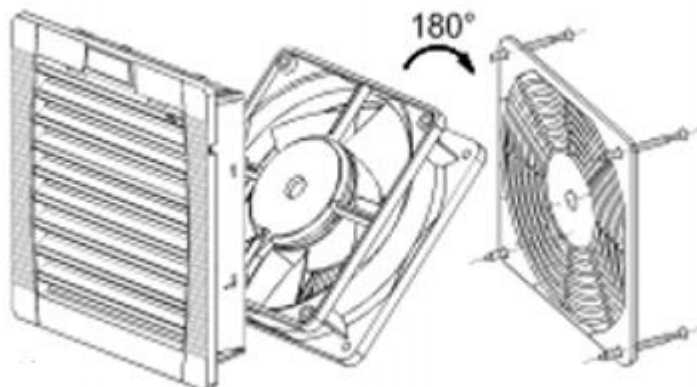
PF 11000 - PF 43000 Including Slim Line Fans:

Instructions:

1. Remove (4) Screws on back surface of fan.
2. Physically flip fan over
3. Replace (4) screws to hand tightness



PF 1x.000 – PF 4x.000

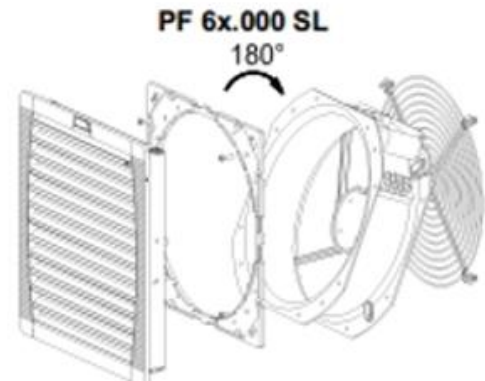
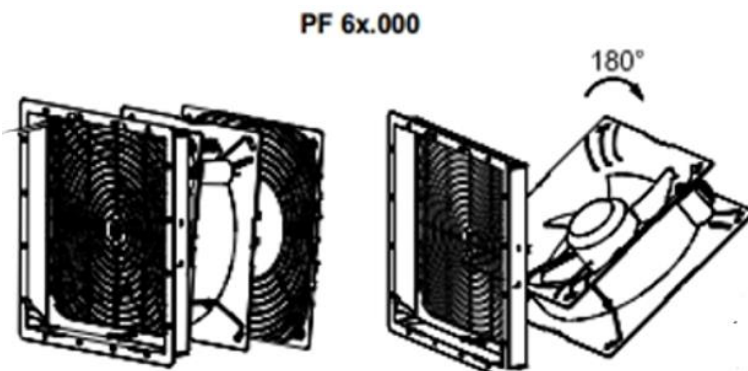
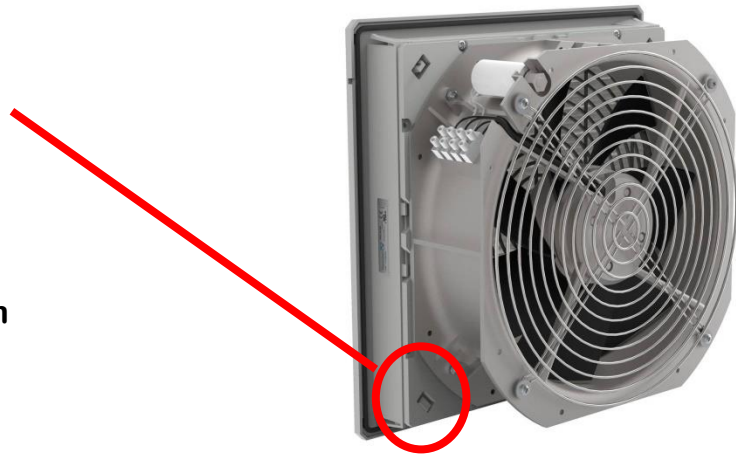


Model Type

PF 65000 - PF 67000 Including Slim Line Fans:

Instructions:

1. Start at bottom left tab of fan to release four plastic hold down tabs.
2. Once first tab is open, place shim between fan and housing. Release both bottom tabs first and placing shims underneath them. A small screwdriver or any scrap material will work. Shimming keeps tabs from closing while moving around the fan.
3. Once all four tabs are released, physically flip the fan unit and snap back into position starting with the bottom edge first.



If you have any questions do not hesitate to call us at 716-685-6866

or

email us @ Sales@pfannenbergusa.com