

Technical Manual

Operation and installation cooling units DTS 3000 SERIES 115V / 230V / 460V

Version 1.2, December 2020



Preface

The skills and information provided in the ORIGINAL OPERATING MANUAL are required for assembly and safe operation of Pfannenberg's DTS 3000 Series Cooling Units.

The information is presented in a brief, clearly arranged format. The chapters are numbered throughout. If you have the operating manual in digital format, the links are interactive.

Various unit types are documented in this operating manual.

Pfannenberg cooling units are subject to continuous improvement. Please understand that we reserve the right to make changes to the design, equipment and technology. For this reason, no claims to specific features of the unit can be derived from the content of this operating manual.

Safety Instructions and Symbols



DANGER

Identifies an exceptionally hazardous situation. Severe, irreversible injuries or death will occur if this notice is not observed.



DANGER

Identifies an exceptionally hazardous situation in connection with electrical voltage. Severe, irreversible injuries or death will occur if this notice is not observed.



WARNING

Identifies an exceptionally hazardous situation. Severe, irreversible or deadly injuries could occur if this notice is not observed.



CAUTION

Identifies a hazardous situation. Minor or moderate injuries could occur if this notice is not observed.





NOTICE

Notice is used to address practices not related to physical injury.

Digital operating manual:

If you have the operating manual in digital format, the links are interactive.

Clicking   on links takes you to the target text position.

- The table of contents is also interactive.
- The key combination ALT ← brings you back to the starting point.



+



Table of contents

1 : INTENDED USE

1.1	General overview	4
1.2	Duty of the operator	4

2 : UNIT DESCRIPTION

2.1	Description of use.....	5
2.2	Scope of delivery	5
2.3	Order options	5
2.4	Functional description.....	5
2.4.1	Air flow functional principle	5
2.4.2	Temperature Regulation	6
2.4.3	Safety Concept	6
2.5	Type plate.....	7
2.6	Technical data and spare parts	8

3 : ASSEMBLY AND INITIAL COMMISSIONING

3.1	Transport.....	8
3.2	Storage	8
3.3	Unpacking.....	9
3.4	Assembly	9
3.4.1	General assembly requirements	10
3.4.2	DTS cooling unit assembly (side attachment).....	10
3.5	Electrical connection.....	12
3.5.1	Standard controller (SC) electrical circuit diagram.....	12
3.5.2	Door contact switch.....	12
3.5.3	Main supply connection.	13

4 : OPERATION

4.1	General functions	17
4.2	Operation of the cooling unit.....	17

5 : SERVICE AND MAINTENANCE

5.1	General cleaning.....	18
5.2	Maintenance.....	19
5.3	Maintenance checklist template.....	20
5.4	Decommissioning.....	21

6 : TROUBLESHOOTING.....

6.1	LED Status Sequences.....	23
-----	---------------------------	----

7 : ACCESSORIES

		24
--	--	----

8 : TERMS OF WARRANTY

		24
--	--	----

1 : INTENDED USE

1.1 General overview

The Pfannenber attachment and installation cooling units of the DTS series are stationary cooling units for the dissipation of heat from switch cabinets.

The cooling units have different cooling outputs. For exact specifications power consumption, see [Technical data](#). Use of aluminum filters, fleece filters and fluted filters is possible with an additional adapter.

The cooling units are available with thermostat controllers. These controllers are regulating units for the adjustment of refrigeration functions and operating data.

- For detailed specifications for the controller, see [Technical data](#) and [Operation](#).

All Pfannenber cooling units are ROHS-compliant and free from:

- Silicone connections
- PCT, asbestos, formaldehyde, cadmium
- Moisture-impairing substances

1.2 Duty of the operator

The operator must ensure that the cooling units are used exclusively as intended and dangers of all types to the life and limb of users or third parties are avoided. In addition, accident prevention regulations and recognized safety rules are to be observed.

The operator must ensure that all users have read and understood this operating manual. Non-observance of this operating manual will void the warranty. The same applies if improper work has been carried out on the unit by the customer and/or third parties without the approval of the manufacturer.

2 : UNIT DESCRIPTION

2.1 Description of use

Pfannenberg DTS series cooling units are designed to dissipate heat from switch cabinets. Sensitive components in the switch cabinet are protected.

2.2 Scope of delivery

The shipment consists of the following contents:

- DTS cooling unit
- Cooling unit quick guide
- Accessory kit: Appropriate seal, fastening material, electrical plug connector, etc. for the specific unit type
- Special accessories, if applicable

2.3 Order options



NOTICE

Spare parts from third-party manufacturers can damage the unit

- Only original parts are subject to the manufacturer's quality control.
- Only use originally manufacturer parts for safe and reliable operation.
- For Pfannenberg spare part numbers, see [Technical data](#).
- For Pfannenberg part numbers for accessory orders, see Ordering of [accessory parts](#).



WARNING

Hazardous due to impermissible use of units

Inappropriate use of the units can cause severe accidents.

- Cooling units must only be used in stationary operation.

Pfannenberg cooling units are only approved for stationary operation. As cooling units with protection rating IP 54, the cooling units are essentially dust-protected. Limitation: Dust can still penetrate after continuous exposure. The cooling units are resistant to spray water, but not a constant water jet.

2.4 Functional description

2.4.1 Air flow functional principle (See Section 2.6 for Each Unit Type)



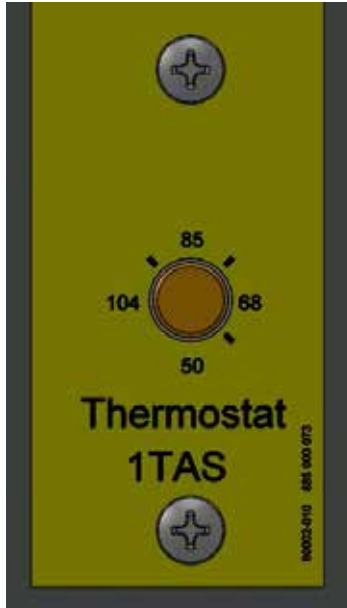
CAUTION

Danger due to the release of very warm air.

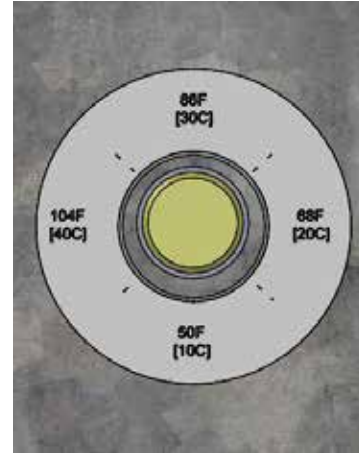
- The air outlet can become very warm.
- Keep body parts away from the air outlet.
- For the ambient temperature and air outlet ratio, see Technical data.

2.4.2 Temperature Regulation

The thermostats are for the adjustment of refrigeration functions and operating data.

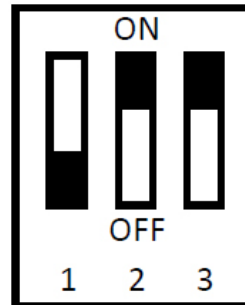


DTS 3021/3031



DTS 3041/3061/3081

TEMPERATURE		DIP-SWITCH		
REF	ALARM	Position		
°C/°F	°C/°F	1	2	3
25/77	45/113	OFF	OFF	OFF
30/86	45/113	OFF	OFF	ON
35/95	45/113	OFF	ON	OFF
35/95	50/122	OFF	ON	ON
40/104	50/122	ON	OFF	OFF
40/104	55/131	ON	OFF	ON
45/113	55/131	ON	ON	OFF
45/113	60/140	ON	ON	ON



Standard setting
Ref: 35°C/95°F
Alarm: 50°C/122°F

DTS 31XX/32XX/34XX/36XX

2.4.3 Safety concept



WARNING

Hazards due to modified safety equipment

Non-functioning or defective safety equipment can cause severe accidents.

- Any changes to the unit, particularly the safety equipment, are prohibited.
- In case of defective safety equipment, shut down the unit and decommission it immediately.
- Fans and compressors are protected from overloading and overheating.

2.5 Type plate

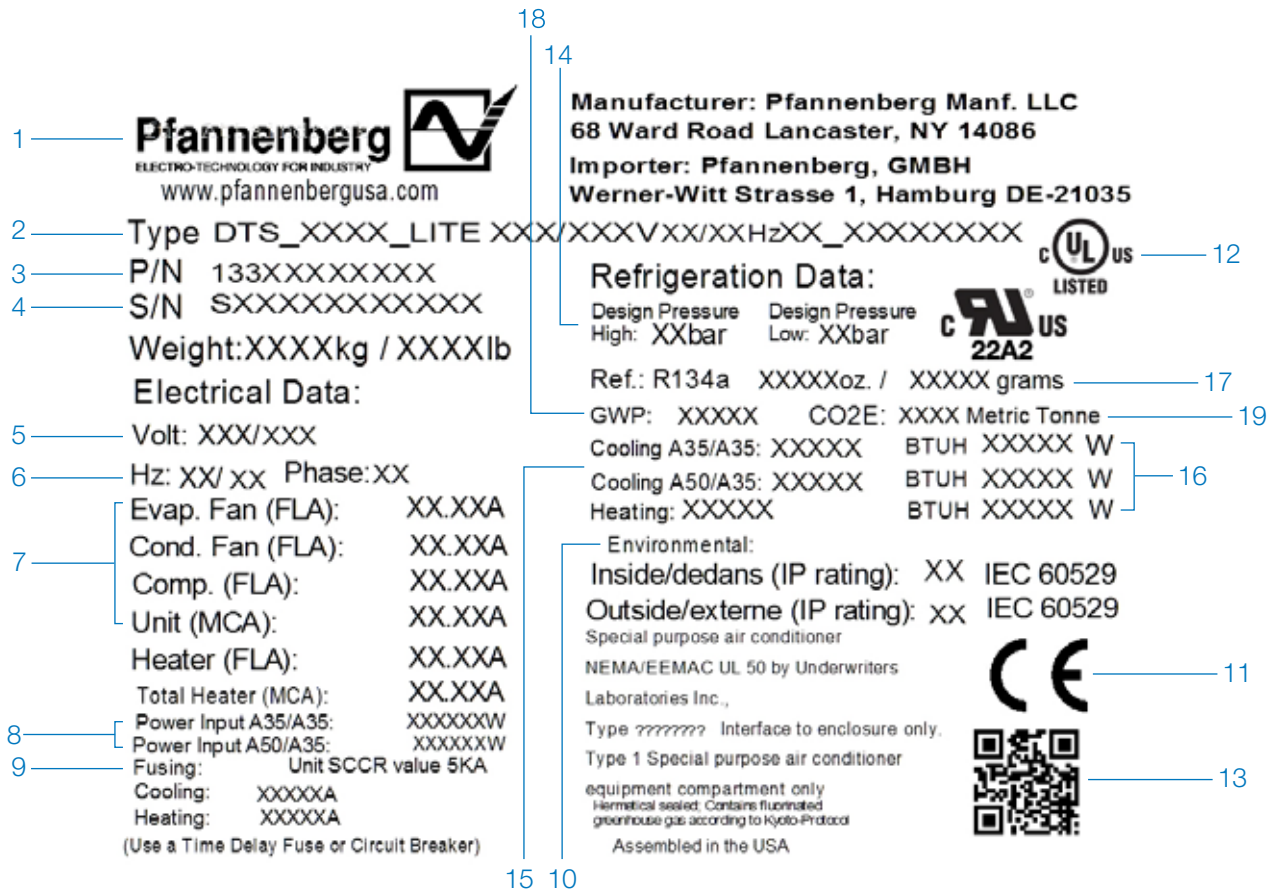


WARNING

Hazards due to noncompliance with manual

Disregarding type plate specifications can result in severe accidents.

- Always observe the specifications on the type plate when installing and maintaining the units.
- The figure shows the standard version of type plate.



Item Number	Designation	Item Number	Designation
1	Manufacturer logo	11	CE mark
2	Unit type	12	UL mark
3	Part number	13	QR code
4	Serial number	14	Coolant pressure
5	Rated operating voltage	15	Exterior / interior ambient conditions
6	Frequency	16	Cooling capacity
7	Nominal current	17	Coolant
8	Power rating	18	Global Warming Potential
9	Fuse	19	CO2 equivalent value
10	Protection type		

2.6 Technical data and spare parts

Technical data, spare parts, and cutouts can be found on our website here:

<http://pfannenbergsusa.com/thermal-management-downloads/>

3 : ASSEMBLY AND INITIAL COMMISSIONING

3.1 Transport



WARNING

Hazards due to uncontrolled movements

Improper securing of the unit can result in severe accidents.

- Loading must only be carried out by trained, qualified personnel.
- Lash the unit correctly for transport on a truck or trailer.
- Only use lashing straps with an adequate rated strength.
- Use slip-resistant materials for securing, e.g. anti-slip mats.
- When loading by crane, do not walk or stand under the raised units.



NOTICE

Danger of material damage during transport and setting down of the units.

- Improper device securing or uncontrolled movements can cause damage.
- Exercise maximum caution during movement and transport of the units.

Always transport the cooling units using the packaging provided by the factory.

Transporting cooling units

REQUIREMENTS:

- Cooling units must be in the packaging provided by the factory.
- Unit must be in the upright position.

REQUIRED TOOLS AND MATERIAL:

- Lashing straps, loading crane, if applicable

PROCEDURE:

- Always raise cooling units by the housing.
- Always raise cooling units slowly and evenly and set down safely.
- Secure correctly for transport with lashing straps.
- The cooling unit was transported and loaded correctly.

3.2 Storage

- Do not expose the cooling unit to temperatures below -40°C or above $+70^{\circ}\text{C}$ during storage*.
- Unit must be in the upright position.

* The warranty will no longer apply if these instructions are not observed.

3.3 Unpacking



WARNING

Hazard of accidents due to the heavy weight of the units

Uncontrolled movements of the units during assembly can cause accidents.

- Use suitable lifting equipment and secure units to prevent accidents.
- Also secure assembled components.



CAUTION

Hazard of injury due to sharp edges

- For manufacturing reasons, the metal edges of the unit may have burrs.
- Wear gloves during service and assembly work.



NOTICE

- Perform a visual inspection for transport damage when unpacking the cooling units. Take note of any loose parts, dents, scratches, visible loss of oil etc.
- Inspect and secure the packaging material for any loose functional parts before disposal.
- Report any damages to the freight carrier immediately. Observe the “Terms for Cases of Damage”.
- Precise information about defects, including possible photos must be provided for the handling of warranty claims. Always specify the type designation and serial number.

3.4 Assembly



DANGER

Life-threatening hazard due to electric shock

Live units and exposed connection cables can generate an electric shock and cause severe accidents.

- Work on electrical connections must be carried out exclusively by trained, qualified electricians.
- Before assembly, de-energize all supply lines to the separate fuse or a main switch, disconnect the system and secure to prevent re-connection.
- Test to ensure the absence of voltage on the unit.



CAUTION

Hazard of crushing during assembly of the unit

There is a hazard of crushing between the switch cabinet and frame of the unit during assembly.

- Keep body parts out of the space between the frame and unit cut-out.
- Work carefully and wear gloves.



NOTICE

Switch cabinet installation hazard due to assembly chips

When making the cooling unit cut-outs, assembly chips can fall into the switch cabinet.

- When assembling the switch cabinet, protect against contaminants and use protective covers.

3.4.1 General assembly requirements

- Select an assembly location for the switch cabinet which will guarantee adequate ventilation of the cooling unit. A minimum clearance of 200 mm between units and the nearest wall must be observed.
- Installed components in the switch cabinet must not impede air circulation.
- Protect the installation location from heavy contamination with covers.
- Inside of the switch cabinet a minimum clearance of 200mm between the back of the cooling unit to the nearest component must be observed to prevent obstruction of airflow and allow access to electrical panel of cooling unit during service and maintenance.



CAUTION

The following general requirements must be followed for safe and reliable operation of the cooling units:

- Secure the switch cabinet against tipping.
- Ensure that provided hinges can support the additional weight of the cooling unit.

3.4.2 DTS cooling unit assembly (side attachment)

Make cut-outs for the DTS cooling unit

REQUIREMENTS:

- All general requirements have been fulfilled; see [General assembly requirements](#)
- The unit is de-energized

REQUIRED TOOLS AND MATERIAL

- Saw
- Use a switch cabinet cutter, if applicable
- Protective covers

PROCEDURE

- Use a protective cover to protect the switch cabinet from chips.
- Provide the switch cabinet with cut-outs and holes. For the prescribed dimensions, refer to the figure exterior view of the switch cabinet.
- Deburr the cut edges.
- Remove chips and assembly waste from the switch cabinet.
- Cut-outs and holes have been made.

Install seal on the DTS cooling unit (side attachment)



DANGER

Hazard of accidents due to incorrectly installed seals

Leaky seals can allow moisture to penetrate and cause short-circuits.

- Install the seal so that it provides a tight seal to the switch cabinet.
- Always inspect seals during cleaning and maintenance.

Install seals and assembly

REQUIREMENTS:

- Cut-outs for the DTS cooling unit have been made; see section 2.6 for each unit.
- The cooling unit is de-energized.

REQUIRED TOOLS AND MATERIAL

- Installation tool
- Accessory kit: Threaded bolts, screws, nuts, washers

PROCEDURE

- Attach seals on the DTS unit. Fit the seals with the slotted holes over unit mounting holes.
- Screw in the two supplied threaded bolts (accessory kit) in the upper fastening points of the DTS cooling unit. Suspend the cooling unit on the switch cabinet with the threaded bolts installed from outside. Tighten the screws on the DTS cooling unit on the switch cabinet interior. Use the supplied screws, nuts and washers (accessory kit) to fasten the unit. Firmly tighten the screw fasteners so that the seal is pressed together.
- The DTS cooling unit is attached to the switch cabinet and ready for electrical connection; see [Electrical connection](#).

3.5 Electrical connection

3.5.1 Standard controller (SC) electrical circuit diagram



DANGER

Life-threatening hazard due to electric shock

Live units and exposed connection cables can generate an electric shock hazard and cause severe accidents.

- Work on electrical connections must be carried out exclusively by trained, qualified electricians.
- Ensure that the unit is voltage-free before routing all electrical connections.

3.5.2 Door contact switch



WARNING

Hazard due to connection of external voltage at the input of the door contact

External voltage can cause severe accidents.

- Connection of external voltage to the input for the door cabinet is prohibited.

Installation of a door contact switch increases safety and prevents increased accumulation of condensate.

- If a door contact switch has not been connected, the connection contact (S1) must be jumped.

Door contact switch installation

REQUIREMENTS:

- The cooling unit is de-energized.

PROCEDURE:

- The door contact switch is connected to the X54 connection at 3 & 4 or the electrical circuit diagram in the housing cover.
- The door contact is supplied with high voltage, from the cooling unit on the DTS 3021/31/31 SS and 30X1 series units.
- The door contact is supplied with low voltage from the control board on the DTS 31X1, 31X5, 32X1, 32X5, 34X1, 36X1, 34X1C and 36X1C series units.
- The door contact switch is connected. The motors switch off when the switch cabinet is opened.

3.5.3 Main supply connection



WARNING

Potential hazard due to incorrect cables

An incorrect cable cross-section will cause the cable to overheat. Scorched insulation can cause fires.

- The cable cross-section (4) matches the output required for the power consumption and is 1 – 2.5mm² or AWG 18 to AWG 14.



DANGER

Electric arcing can cause electric shock and burns.

When disconnecting and connecting the plug connector for mains connection under load or voltage, electric arcing, dangerous voltage and electric shock can occur.

- The plug connector for mains connection must never be plugged in or disconnected under load/voltage.
- Work on plug connectors must only be carried out with adequate lighting.
- Always disconnect power to unit.

The following general requirements must be ensured for safe and reliable operation of the cooling units:

- Upstream installation of a supply-side temperature regulator is prohibited.
- Connect the upstream fuse specified on the type plate as wiring protection; see [Type plate](#).
- Ensure that the type plate specifications for rated values match the present values for mains voltage and mains frequency; see [Type plate](#).
- Always connect the cooling unit to the mains by means of a separating device (switch/contactors).

NOTE: To conform with EU Standards and maintain CE Conformity (For units with molded electrical plugs ONLY) the following modification must be completed:

- These steps should only be performed by a qualified person
- Using standard cable cutting tool, cut cable approximately 3.5" (89mm) from mold plug end
- Remove molded plug
- Using standard cable stripping tool, remove PVC cable jacket 2" (51mm) from cut end and discard
- Using standard wire stripper, remove the PVC jacket from each individual wire 0.3" (8mm) from end
- Discard all removed materials
- Terminate the bare wire ends as local electrical codes and standard practices
- Wiring connections as follows
 - Line – Brown Wire
 - Neutral – Blue Wire
 - Ground – Green/Yellow Wire

Cooling unit electrical connection

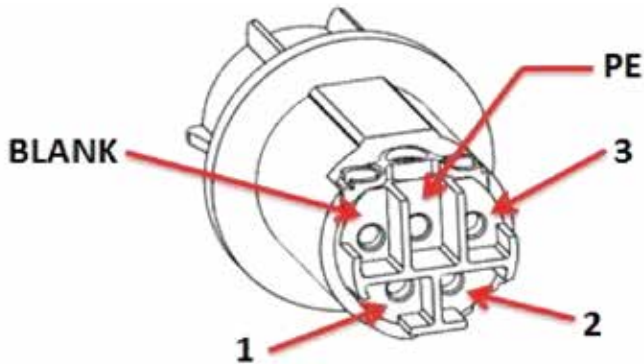


DANGER

Life-threatening hazard due to electric shock

Circuit breaker systems that are not connected or attached incorrectly can generate hazardous voltages and electric shock and cause severe accidents.

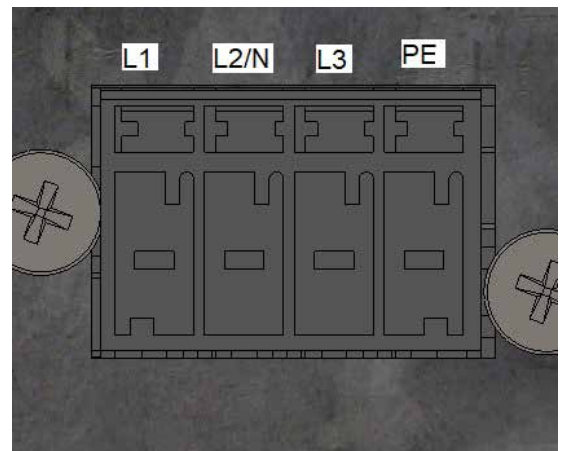
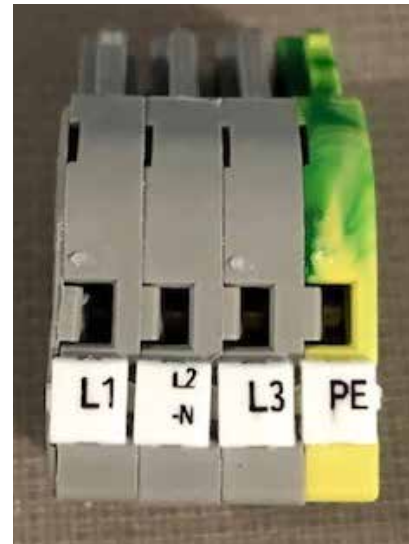
- Work on electrical connections must be carried out exclusively by trained, qualified electricians.
- Circuit breakers systems must be provided in accordance with DIN EN 60204-1, chapter 8.2.
- Each element of electrical equipment must be connected to the circuit breaker system.
- Never interrupt the circuit breaker system if electrical equipment is attached to covers, doors or cover panels.
- If parts are removed, e.g. for maintenance work, ensure that the circuit breaker system is not interrupted for the remaining parts



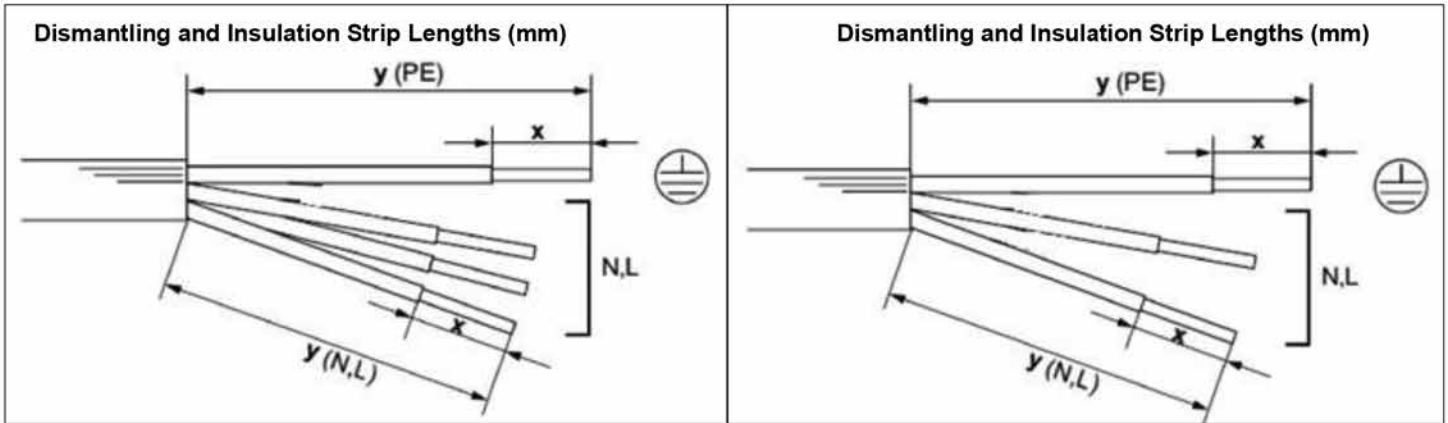
Refer to Connection Diagrams:

	115V	230V	230V	460V	460V
1	L	L	L	L1	L1
2	N	N	L	L2	L2
3	----	----	----	----	L3
PE					

DTS 34X1C & DTS 36X1C Only

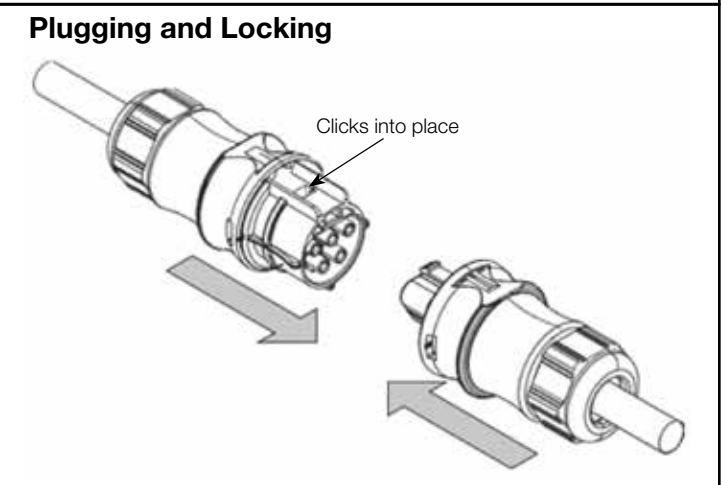
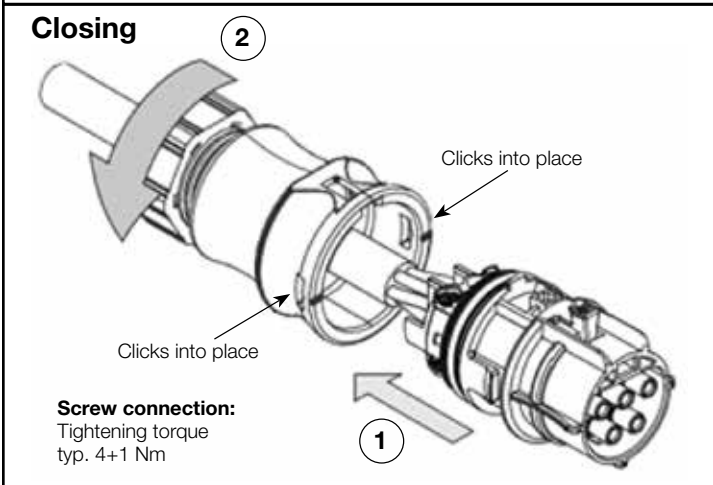
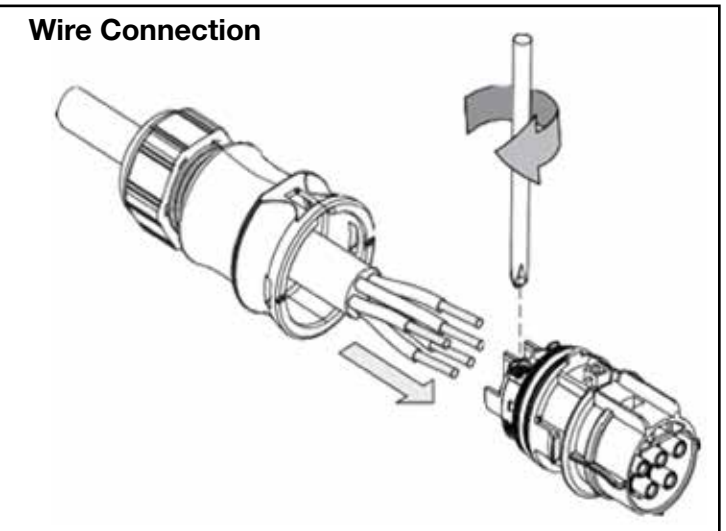
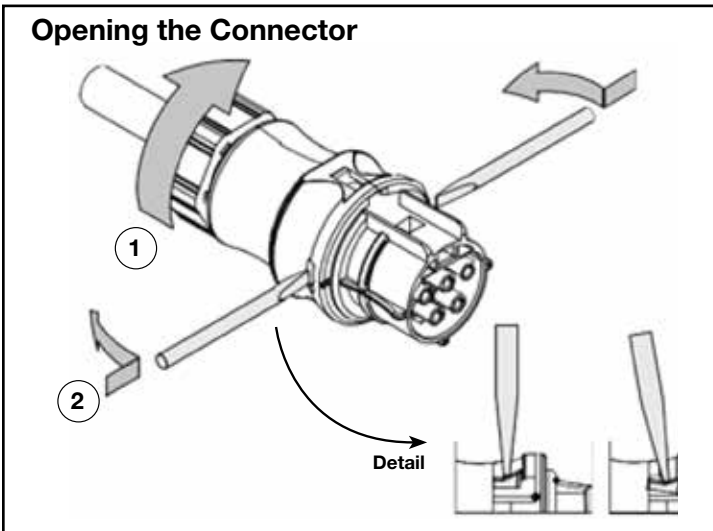


Part Description: Connection Instruction



Screw Connections

	Connector			
	Ø6...10 / Ø10...14		Ø13...18	
Strain Relief				
Conductor	PE	N,L	PE	N,L
Dismantling Length y (mm)	30	25	55	50
Dismantling Length y (splitter connector)	45	40		
Insulation Strip Length x (mm)	8 (conductor cross section 1,5 ... 4 mm ²)			





CAUTION

To maintain the IP-rating type of enclosure, protective caps (accessory) must be mounted on all unoccupied connectors! Further the connectors must not be exposed to bending forces (e.g. do not attach loads to the cable, no free-dangling cable windings etc.). The connectors are not suitable for current interrupting. Never connect or disconnect under load!

Requirement

- All general requirements for safe and reliable operation are assured; see [Main supply connection](#).
- The cooling unit is de-energized.

Procedure

- Connect the cable with the connecting plug (accessory kit) as specified in the electrical circuit diagram; see [Electrical connection](#).
- For electrical connection, insert the screwdriver into the cage terminal and connect the cables to the cooling unit with the connecting plug .
- Insert the screwdriver firmly into the cage terminal. Never twist the screwdriver; otherwise the cage terminal will be damaged.
- Before switching on, ensure that the mains voltage matches the upstream fuse; see [Electrical connection](#).
-
- The cooling unit is connected electrically.

4 : OPERATION

4.1 General functions



NOTICE

Danger of damage to the cooling unit

Operation without the unit cover prevents the adequate supply of air to the condenser and limits the intended heating function.

- Only operate the cooling unit with the unit cover installed.
- Once assembly and installation work is completed, switch on the power supply to the cooling unit.
- After the supply voltage has been connected and the door is closed, the units run continuously.
- The cooling unit is equipped with an electronic control unit. A temperature sensor detects the temperature of the air sucked in from the interior of the switch cabinet.
- If the upper or lower limit temperature is exceeded or undercut, a fault indication is triggered.
- The ambient conditions and switch cabinet interior temperatures must correspond to the prescribed technical data; see [Technical data](#).
- The ambient temperature must be less than 55°C (45°C for the DTS 3021/3031/3031 SS & 3041).

4.2 Operation of the cooling unit

- After connection of the mains voltage, the device switches to operating mode.
- If cooling mode as needed; this will take place depending on whether a temperature switching threshold (TSet) is reached or undercut.
- Cooling mode switches off when the temperature switching threshold (TSet) is undercut.
- The evaporator fan (internal), condenser fan (external) switch off when the door is opened.

Operating conditions

- The mains voltage must lie within the specified range; see [Electrical data](#).
- A deviation of $\pm 10\%$ is permissible.
- The ambient temperature must be below 55 °C (45°C for the DTS 3021/3031/3031 SS & 3041). For further options, see [Technical data](#).
- The cooling unit must only be used in such a manner as to ensure that the specified cooling capacity is able to meet actual demands.
- Only the specified coolant may be used.

5 : SERVICE AND MAINTENANCE

5.1 General Cleaning



DANGER

Life-threatening hazard due to electric shock

Live units and exposed connection cables can generate an electric shock and cause severe accidents.

- Work on electrical connections must be carried out exclusively by trained, qualified electricians.
- Before working on the unit, de-energize all supply lines to the separate fuse or a main switch, disconnect the system and secure to prevent re-connection.
- Test to ensure the absence of voltage on the unit.



WARNING

Hazards of accidents due to component damage during cleaning

Cleaning of cooling units with water jet, steam jet, high-pressure washer or sharp objects can damage the electrical and electronic assemblies. Malfunctions can cause accidents.

- Do not clean with a water jet, pressure washer or flammable cleaning agents.
- Protect electrical components from the penetration of moisture.
- Do not use pointed or sharp-edged objects to clean the fins. They must not be pinched or damaged.



CAUTION

Hazards of crushing during removal of the unit cover

Hands and other body parts can be crushed during removal and re-installation of the unit cover.

- Keep body parts out of the space between the frame, springs and unit cut-out.
- Work carefully and wear gloves.

The frequency of cleaning intervals depends on the operating conditions in the individual case. The following cleaning work must take place regularly for safe and reliable operation of the cooling units:

- Remove dust or environmental residue from the heat exchangers.
- Check the condensate drain regularly.

5.2 Maintenance



DANGER

Life-threatening hazard due to electric shock

Live units and exposed connection cables can generate an electric shock and cause severe accidents.

- Opening, troubleshooting and replacement of components on the unit must only be carried out by qualified personnel.
- Always ensure that the unit is de-energized before working on the unit.



WARNING

Hazard due to improper maintenance work

Damage of components and faulty replacement of components can cause accidents.

- Always switch off the disconnecter/contacter before beginning maintenance work.
- Wait For unloading phase of 5 minutes for the electric components. Open only afterwards device.
- Ensure that the fans are in idle position and are no longer rotating.
- After replacement of defective parts or components, inspect the unit for correct and safe operation.
- After all maintenance or replacement of spare parts, check to ensure the full capability of the condensate drain.



WARNING

Spare parts from third-party manufacturers can damage the unit and cause accidents.

- Only original parts are subject to the manufacturer's quality control.
- Only use specially agreed manufacturer parts for safe and reliable operation.



NOTICE

Danger of unit damage due to incorrectly performed maintenance

Disregard of the recommended maintenance work reduces the cooling capacity of the cooling unit and could result in reduced machine availability.

- Maintenance work must be carried out regularly, as specified in the maintenance checklist.
- Warranty claims are only valid for units that have been maintained according to specifications.

Pfannenberg recommendation to the operator for maintenance work:

- Carry out maintenance work regularly, every 12 months, according to the maintenance checklist; see Maintenance checklist template.
- Shorter maintenance intervals are required for cooling units that cool in oil- and dust-laden ambient air. A reduced guideline value of two to six months between maintenance intervals applies.

5.3 Maintenance checklist template

Cooling Unit Maintenance Checklist

Maintenance Interval:

- Conduct maintenance every twelve months.
- Conduct maintenance every two to six months in oil and dust-laden environmental air.

Type: _____

Serial number: _____

Date of maintenance: _____

Technician: _____

	Unit range designation/ Required maintenance tasks	Visual inspection	To Do	Result
1	Aggregate before maintenance			
1.1	General visual inspection of the aggregate			
1.2	Inspection for corrosion damage			
2	Condenser / heat exchanger			
2.1	Inspection for general corrosion damage			
3	Condenser fan (external)			
3.1	Inspect mount for loose parts			
3.2	Inspect the electrical connection for damage			
3.3	Check motor bearings for noises			
3.4	Check the drive for signs of overheating			
4	Evaporator fan (internal)			
4.1	Inspect mount for loose parts			
4.2	Inspect the electrical connection for damage			
4.3	Check motor bearings for noises			
4.4	Check the drive for signs of overheating			

* Maintenance intervals are more frequent, depending on the degree of contamination.

5.4 Decommissioning



WARNING

Hazard of injury due to materials and substances

Improper work on the unit can be damaging to health.

- Always ensure that the unit is de-energized before working on the unit.
- The unit must only be disposed of by qualified personnel and in accordance with applicable environmental regulations.

If the cooling unit is no longer needed for a longer period, it must be disconnected from the voltage supply.

- Ensure that improper start-up by third parties is not possible.

Final Decommissioning



CAUTION

Hazard of crushing during the decommissioning of units

Hands and other body parts can be crushed during removal of units.

- Keep body parts out of the space between the frame, springs and unit cut-out.

If cooling units are to be definitively decommissioned or disposed of, the following must be observed:

- Applicable statutory regulations of the user country and environmental protection regulations must be observed.
- Refrigerant must be professionally extracted from the refrigerant system. Avoid refrigerant emissions.
- The cooling unit must only be disposed of by authorized, qualified personnel.

- Waste equipment can be disposed of correctly by Pfannenberg. Freight charges for delivery to one of our manufacturing facilities must be pre-paid.

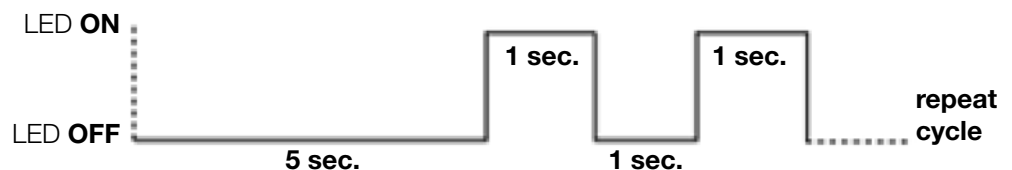
6 : TROUBLESHOOTING

Fault	Possible causes	Corrective measures
Unit does not cool; evaporator fan (internal) running	Temperature setting too high	Check the temperature setting
Unit does not cool sufficiently	Operating limits exceeded	Check the ambient temperature and internal load
	Too little coolant	Call in authorized qualified personnel; check the unit for leakage
	Heat exchanger dirty	Clean the heat exchanger
	Evaporator fan (internal) defective Condenser fan (external) defective	Call in authorized, qualified personnel; replace fan
	Disruption in the air circulation inside the cabinet	Check the installation and the path of air circulating in the switch cabinet
Check the supply and outlet flow of air of the cooling unit to the inlet and outlet opening of the switch cabinet		
Excessive Condensation is accumulating inside of the switch cabinet	Temperature setting is too low	Check the temperature setting
	Switch cabinet is not sufficiently sealed	Check that electrical enclosure is properly sealed
Condensate fails to drain	Condensate drain is clogged	Clean condensate drainage hose; ensure that drainage hose is angled downward without bending

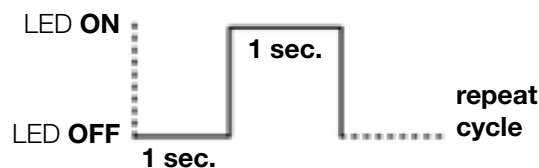
6.1 : LED STATUS SEQUENCES

Unit Characteristics	Technical causes	Fault Remedy
Compressor: ON Internal Fan: ON External Fan: ON Status LED: Sequence 3 Fault signal contact: Open	The unit is currently in test mode. On start-up of the unit it goes through a 60 second test mode. During the first 30 seconds only the LED is going through Sequence 3. After 30 seconds All fans and compressor kick on for 30 seconds	Unit just received power and is going through test mode. No remedy is needed
Compressor: OFF Internal Fan: OFF External Fan: OFF Status LED: Sequence 1 Fault signal contact: Closed	Door switch is open. Either X54 connector's 3 and 4 are not jumpered together or switch cabinet's door is open	Jumper 3 and 4 on the X54 connector or close the door that the unit is connected to
Compressor: OFF Internal Fan: ON External Fan: OFF Status LED: Sequence 2 Fault signal contact: Open	High pressure switch or motor protection switch has opened (overheating). Compressor will automatically switch on again 30 seconds after it has cooled.	Clean filter mat or heat exchangers to ensure air can freely flow through. Possible check heat dissipation in the switch cabinet to make sure properly sized unit is being used.
Compressor: ON Internal Fan: ON External Fan: ON Status LED: Sequence 1 Fault signal contact: Open	The temperature inside of the switch cabinet has gone above set alarm temperature (see section 2.4.2).	Clean filter mat or heat exchangers to ensure air can freely flow through. Possible check heat dissipation in the switch cabinet to make sure properly sized unit is being used.

Sequence 1: (User Error)



Sequence 2: (Unit Fault)



Sequence 3: (Test/start-up mode)



7 : ACCESSORIES

Item Number	Designation	Item Number	Designation
18881500008	Filter Kit DTS 3021/3031	18881500010	Filter Kit DTS 34x1, 34X1C, 36X1C
18881500005	Filter Kit DTS3041/3061	18881500004	Filter Kit DTS 36x1
18881500009	Filter Kit DTS 31x1	18314000100	Condensate Bottle All Units
18380000025	Filter Kit DTS 31x1 SL / 31x5	18314000001	External Condensate Evaporation System-KV PTC, 115 230 V 50/60 Hz
18881500001	Filter Kit DTS 32x1		
18881500007	Filter Kit DTS 32x5		

Note: Always specify the Pfannenberg part numbers when ordering spare parts and accessory parts.

8 : TERMS OF WARRANTY

The warranty does not apply or is voided in the following cases:

- Improper use of the unit.
- Failure to observe operating conditions or disregard of the operating manual.
- Lack of regular maintenance on the cooling units.
- Damage due to disregard of maintenance recommendations.
- Damage to cooling units due to soiled or clogged filters.
- Damage due to unauthorized opening of the refrigerant circuit.
- Modifications carried out on the unit or a change to the serial number.
- In the event of damage during transport or other accidents.
- Replacement of parts by unauthorized personnel.
- Only original Pfannenberg parts are permitted for use. Violations void the warranty.

For recognition of warranty claims and return of the unit, observe the following:

- Provide an exact description of the defect and the SRO (RMA) numbers specified by Pfannenberg with the cooling unit.
- Include a reference document (delivery note or invoice copy).
- Forward the cooling unit to us, complete with all accessories, in the original box or in comparable packaging with freight and transport insurance pre-paid.
- Observe transport instructions; see [Transport](#).

Pfannenberg Incorporated
68 Ward Road, Lancaster, New York 14086
Phone: 716-685-6866
Fax: 716-681-1521
email: sales@pfannenbergusa.com

www.pfannenbergusa.com

All information contained was thoroughly checked in 2018.
However, we make no guarantee as to the completeness and correctness of the specifications.

885408007 Rev 5
© 2018 Pfannenberg Incorporated

Technisches Handbuch

Betrieb und Einbau von Kühlgeräten

BAUREIHE DTS 3000 115V / 230V / 460V

Version 1.2, December 2020



Einleitung

Für den Einbau und sicheren Betrieb der Kühlgeräte der Baureihe DTS 3000 von Pfannenberg sind die in der ORIGINAL-BETRIEBSANLEITUNG enthaltenen Angaben und Fertigkeiten erforderlich.

Diese Informationen werden in kurzer und übersichtlicher Form dargestellt. Die Kapitel sind durchgängig nummeriert. Liegt die Betriebsanleitung in digitaler Form vor, sind die Links interaktiv.

In der vorliegenden Betriebsanleitung sind mehrere Gerätetypen dokumentiert.

Die Kühlgeräte von Pfannenberg unterliegen einer kontinuierlichen Verbesserung. Daher bitten wir Sie um Verständnis, dass wir uns Änderungen an der Konstruktion, Ausrüstung und Technologie vorbehalten. Aus diesem Grund können aus dem Inhalt dieser Betriebsanleitung keine Ansprüche auf spezifische Gerätemerkmale abgeleitet werden.

Sicherheitshinweise und Symbole



GEFAHR

Weist auf außergewöhnlich gefährliche Situationen hin. Die Nichtbeachtung dieser Hinweise führt zu schweren, irreversiblen Verletzungen bis hin zum Tod.



GEFAHR

Weist auf außergewöhnlich gefährliche Situationen bei der Arbeit mit elektrischer Spannung hin. Die Nichtbeachtung dieser Hinweise führt zu schweren, irreversiblen Verletzungen bis hin zum Tod.



WARNUNG

Weist auf außergewöhnlich gefährliche Situationen hin. Die Nichtbeachtung dieser Hinweise kann zu schweren, irreversiblen oder tödlichen Verletzungen führen.



VORSICHT

Weist auf gefährliche Situationen hin. Die Nichtbeachtung dieser Hinweise kann zu geringfügigen oder mittelschweren Verletzungen führen.





HINWEIS

Hinweis auf Verfahren, die nicht mit körperlichen Verletzungen zusammenhängen.

Digitale Betriebsanleitung:

Liegt die Betriebsanleitung in digitaler Form vor, sind die Links interaktiv.

Das Klicken   auf die Links ruft dann die Position im Zieltext auf.

- Das Inhaltsverzeichnis ist ebenfalls interaktiv.
- Mit der Tastenkombination ALT ← kehrt die Anzeige jeweils zum Ausgangspunkt zurück.



+



Inhaltsverzeichnis

1 : BESTIMMUNGSGEMÄSSE VERWENDUNG

1.1	Allgemeine Übersicht	4
1.2	Pflichten des Betreibers	4

2 : BESCHREIBUNG DES GERÄTS

2.1	Beschreibung der Anwendung	5
2.2	Lieferumfang	5
2.3	Bestelloptionen	5
2.4	Funktionsbeschreibung	5
2.4.1	Funktionsprinzip des Luftstroms	5
2.4.2	Temperaturregelung	6
2.4.3	Sicherheitskonzept	6
2.5	Typenschild	7
2.6	Technische Daten und Ersatzteile	8

3 : MONTAGE UND ERSTINBETRIEBNAHME

3.1	Transport	8
3.2	Lagerung	8
3.3	Auspacken	9
3.4	Montage	9
3.4.1	Allgemeine Montageanforderungen	10
3.4.2	Montage des DTS-Kühlgeräts (Seitenanbau)	10
3.5	Elektrischer Anschluss	12
3.5.1	Elektroschaltplan Standard-Controller (ASC CP)	12
3.5.2	Türkontaktschalter	12
3.5.3	Hauptnetzanschluss	13

4 : BETRIEB

4.1	Allgemeine Funktionen	17
4.2	Betrieb des Kühlgeräts	17

5 : SERVICE UND WARTUNG

5.1	Allgemeine Reinigung	18
5.2	Wartung	19
5.3	Vorlage für die Wartungscheckliste	20
5.4	Stilllegung	21

6 : STÖRUNGSBESEITIGUNG

6.1	LED Statusanzeigen	23
-----	--------------------------	----

7 : ZUBEHÖR

	24
--	-------	----

8 : GARANTIEBEDINGUNGEN

	24
--	-------	----

1 : BESTIMMUNGSGEMÄSSE VERWENDUNG

1.1 Allgemeine Übersicht

Die Kühlgeräte zum An- und Einbau der Baureihe DTS von Pfannenberg sind fest eingebaute Kühlgeräte zum Abführen von Wärme aus Schaltschränken.

Die Kühlgeräte weisen unterschiedliche Kühlleistungen auf. Zu den genauen Spezifikationen und zum Energieverbrauch siehe [Technische Daten](#). Die Verwendung von Aluminiumfiltern, Vliesfiltern und Faltenfiltern ist mit einem zusätzlichen Adapter möglich.

Die Kühlgeräte sind mit Thermostatreglern erhältlich. Dabei handelt es sich um Regelgeräte zum Anpassen der Kühlfunktionen und Betriebsdaten.

- Zu den detaillierten Spezifikationen des Reglers siehe [Technische Daten](#) und [Betrieb](#).

Alle Pfannenberg-Kühlgeräte sind RoHS-konform und frei von:

- Silikonverbindungen
- PCT, Asbest, Formaldehyd, Cadmium
- Die Feuchtigkeit beeinträchtigenden Substanzen

1.2 Pflichten des Betreibers

Der Betreiber muss sicherstellen, dass die Kühlgeräte ausschließlich bestimmungsgemäß eingesetzt, und Gefahren jedweder Art für Leib und Leben der Nutzer sowie Dritter vermieden werden. Zusätzlich sind die Unfallverhütungsvorschriften und die anerkannten Sicherheitsregeln einzuhalten.

Der Betreiber muss sicherstellen, dass alle Nutzer diese Betriebsanleitung gelesen und verstanden haben. Bei Nichteinhaltung der Vorschriften dieser Betriebsanleitung erlischt die Gewährleistung. Dies gilt ebenfalls bei Durchführung unsachgemäßer Arbeiten am Gerät durch den Kunden und/oder Dritte ohne Genehmigung des Herstellers.

2 : BESCHREIBUNG DES GERÄTS

2.1 Beschreibung der Anwendung

Die Kühlgeräte der Baureihe DTS von Pfannenberg sind für die Abführung von Wärme aus Schaltschränken ausgelegt. Damit werden empfindliche Komponenten im Schaltschrank geschützt.

2.2 Lieferumfang

Die Lieferung umfasst folgenden Inhalt:

- DTS-Kühlgerät
- Kurzanleitung zur Kühlgerät
- Zubehörsatz: Geeignete Dichtung, Befestigungsmaterial, elektrischer Steckverbinder usw. für den spezifischen Gerätetyp
- Gegebenenfalls Spezialzubehör

2.3 Bestelloptionen



HINWEIS

Ersatzteile von Fremdherstellern können Schäden am Gerät verursachen.

- Nur Originalteile unterliegen der Qualitätskontrolle des Herstellers.
- Zum sicheren und zuverlässigen Betrieb dürfen nur Originalteile vom Hersteller eingesetzt werden.
- Zu den Ersatzteilnummern von Pfannenberg siehe [Technische Daten](#).
- Zu den Ersatzteilnummern von Pfannenberg für die Bestellung von Zubehör siehe Bestellung von [Zubehörteilen](#).



WARNUNG

Gefahr durch nicht bestimmungsgemäße Verwendung von Geräten

Beim unsachgemäßen Einsatz der Geräte können schwere Unfälle verursacht werden.

- Die Kühlgeräte dürfen nur im stationären Betrieb verwendet werden.

Pfannenberg-Kühlgeräte sind nur für den stationären Betrieb zugelassen. Als Kühlgeräte mit der Schutzklasse IP 54 sind diese im Wesentlichen staubgeschützt. Einschränkung: Bei Dauereinwirkung kann dennoch Staub eindringen. Die Kühlgeräte sind spritzwasserbeständig, jedoch nicht bei konstantem Wasserstrahl.

2.4 Funktionsbeschreibung

2.4.1 Funktionsprinzip des Luftstroms (siehe Abschnitt 2.6 zu den einzelnen Gerätetypen)



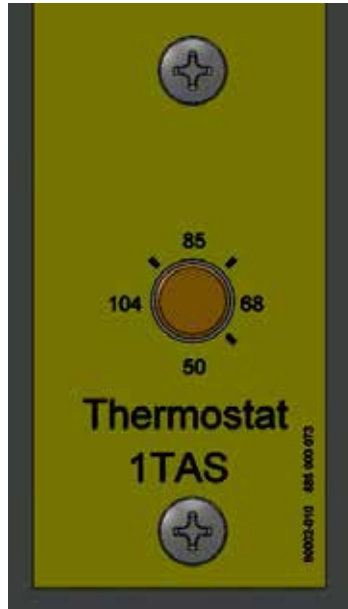
VORSICHT

Gefahr durch Austritt sehr warmer Luft!

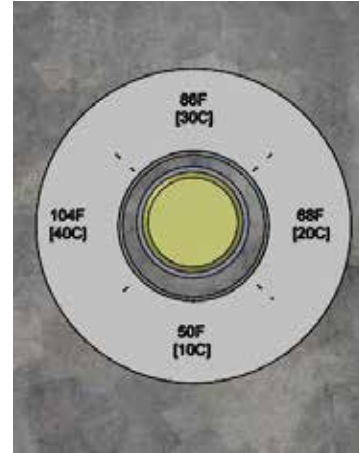
- Der Luftaustritt kann sehr warm werden.
- Körperteile vom Luftaustritt fernhalten!
- Zur Umgebungstemperatur und zum Luftaustrittsverhältnis siehe Technische Daten.

2.4.2 Temperaturregelung

Mit den Thermostaten werden die Kühlfunktionen und die Betriebsdaten eingestellt.

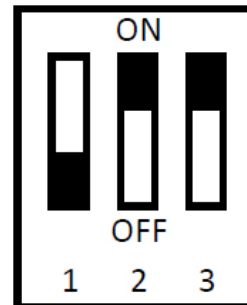


DTS 3021/3031



DTS 3041/3061/3081

TEMPERATURE		DIP-SWITCH		
REF	ALARM	Position		
°C/°F	°C/°F	1	2	3
25/77	45/113	OFF	OFF	OFF
30/86	45/113	OFF	OFF	ON
35/95	45/113	OFF	ON	OFF
35/95	50/122	OFF	ON	ON
40/104	50/122	ON	OFF	OFF
40/104	55/131	ON	OFF	ON
45/113	55/131	ON	ON	OFF
45/113	60/140	ON	ON	ON



Standard setting
Ref: 35°C/95°F
Alarm: 50°C/122°F

DTS 31XX/32XX/34XX/36XX

2.4.3 Sicherheitskonzept



WARNUNG

Gefahren durch Modifizierung der sicherheitstechnischen Ausrüstung

Nicht funktionierende bzw. defekte sicherheitstechnische Ausrüstungen können schwere Unfälle verursachen.

- Jegliche Änderungen am Gerät und insbesondere an der sicherheitstechnischen Ausrüstung sind verboten!
- Bei defekter sicherheitstechnischer Ausrüstung das Gerät sofort abschalten und außer Betrieb nehmen!
- Lüfter und Verdichter sind vor Überbelastung und Überhitzung geschützt.

2.5 Typenschild



WARNUNG

Gefahren durch Nichtbefolgen der Anleitung

Wenn Werte auf dem Typenschild nicht beachtet werden, kann es zu schweren Unfällen kommen.

- Die Vorgaben am Typenschild sind beim Einbau und bei der Wartung der Geräte stets einzuhalten!
- In der Abbildung ist das Typenschild für die Standardversion dargestellt.

1 Pfannenberg
ELECTRO-TECHNOLOGY FOR INDUSTRY
www.pfannenbergsusa.com

2 Type DTS_XXXX_LITE XXXXXXXXXVXX/XXHzXX_XXXXXXXXXX

3 P/N 133XXXXXXXX

4 S/N SXXXXXXXXXXXXX
Weight: XXXXkg / XXXXlb

5 Electrical Data:
Volt: XXX/XXX

6 Hz: XX/XX Phase: XX

7 Evap. Fan (FLA): XX.XXA
Cond. Fan (FLA): XX.XXA
Comp. (FLA): XX.XXA
Unit (MCA): XX.XXA
Heater (FLA): XX.XXA
Total Heater (MCA): XX.XXA

8 Power Input A35/A35: XXXXXXW
Power Input A50/A35: XXXXXXW

9 Fusing: Unit SCCR value 5KA
Cooling: XXXXXA
Heating: XXXXXA
(Use a Time Delay Fuse or Circuit Breaker)

10 15

11 CE

12 UL LISTED

13 QR-Code

14 18
Manufacturer: Pfannenberg Manf. LLC
68 Ward Road Lancaster, NY 14086
Importer: Pfannenberg, GMBH
Werner-Witt Strasse 1, Hamburg DE-21035

15 Refrigeration Data:
Design Pressure High: XXbar
Design Pressure Low: XXbar
Ref.: R134a XXXXXoz. / XXXXX grams
GWP: XXXXX CO2E: XXXX Metric Tonne

16 Cooling A35/A35: XXXXX BTUH XXXXX W
Cooling A50/A35: XXXXX BTUH XXXXX W
Heating: XXXXX BTUH XXXXX W

17 Environmental:
Inside/dedans (IP rating): XX IEC 60529
Outside/externe (IP rating): XX IEC 60529
Special purpose air conditioner
NEMA/EEMAC UL 50 by Underwriters Laboratories Inc.,
Type ??????? Interface to enclosure only.
Type 1 Special purpose air conditioner
equipment compartment only
Hermetical sealed; Contains fluorinated greenhouse gas according to Kyoto-Protocol
Assembled in the USA

18 19

Positionsnummer	Bezeichnung	Positionsnummer	Bezeichnung
1	Herstellerlogo	11	CE-Zeichen
2	Gerätetyp	12	UL-Zeichen
3	Teilenummer	13	QR-Code
4	Seriennummer	14	Kühlmitteldruck
5	Bemessungs-Betriebsspannung	15	Umgebungsbedingungen außen/innen
6	Frequenz	16	Kühlleistung
7	Nennstrom	17	Kühlmittel
8	Nennleistung	18	Erderwärmungspotenzial
9	Sicherung	19	CO ₂ -Äquivalenzwert
10	Schutzart		

2.6 Technische Daten und Ersatzteile

Technische Daten, Ersatzteile und Aussparungen sind aus unserem Website hier zu entnehmen:

<http://pfannenbergusa.com/thermal-management-downloads/>

3 : MONTAGE UND ERSTINBETRIEBNAHME

3.1 Transport



WARNUNG

Gefahren durch unkontrollierte Bewegungen

Bei unsachgemäßer Sicherung des Geräts können schwere Unfälle auftreten.

- Die Verladung darf nur durch geschultes, qualifiziertes Personal erfolgen.
- Für den Transport per LKW oder Anhänger ist das Gerät ordnungsgemäß zu verzurren.
- Es dürfen nur Spanngurte mit geeigneter Bemessungslast verwendet werden.
- Zur Sicherung sind rutschfeste Materialien wie z. B. rutschsichere Matten einzusetzen.
- Beim Verladen mit einem Kran nicht unter schwebende Lasten treten oder gehen.



HINWEIS

Gefahr von Materialschäden beim Transport und Absetzen der Geräte.

- Eine unsachgemäße Sicherung bzw. unkontrollierte Bewegungen der Geräte können Schäden verursachen.
- Beim Bewegen und Transportieren der Geräte ist äußerste Vorsicht geboten.

Die Kühlgeräte sind stets in der vom Werk bereitgestellten Verpackung zu transportieren.

Transport der Kühlgeräte

ANFORDERUNGEN:

- Die Kühlgeräte müssen sich in der vom Werk gelieferten Verpackung befinden.
- Die Geräte müssen aufrecht stehen.

BENÖTIGTE WERKZEUGE UND MATERIALIEN:

- Spanngurte, Ladekran sofern erforderlich

VERFAHREN:

- Die Kühlgeräte stets am Gehäuse anheben.
- Die Kühlgeräte stets langsam und gleichmäßig anheben und sicher absetzen.
- Zum Transport ordnungsgemäß mit Spanngurten sichern.
- Das Kühlgerät wurde ordnungsgemäß transportiert und verladen.

3.2 Lagerung

- Setzen Sie das Kühlgerät während der Lagerung nicht Temperaturen unter -40°C oder über $+70^{\circ}\text{C}$ aus*.
- Die Geräte müssen aufrecht stehen.

* Bei Nichteinhaltung der Anweisungen erlischt die Gewährleistung

3.3 Auspacken



WARNUNG

Unfallgefahr durch hohes Gewicht der Geräte

Durch unkontrollierte Bewegungen der Geräte bei der Montage können Unfälle verursacht werden.

- Geeignetes Hebezeug verwenden und die Geräte zur Vermeidung von Unfällen sichern.
- Auch montierte Komponenten sichern.



VORSICHT

Verletzungsgefahr durch scharfe Kanten

- Die Metallkanten des Geräts können fertigungsbedingt Grate aufweisen.
- Bei Wartungs- und Montagearbeiten Handschuhe tragen!



HINWEIS

- Beim Auspacken der Kühlgeräte eine Sichtprüfung auf Transportschäden vornehmen. Alle lockeren Teile, Kerben, Kratzer, erkennbaren Verluste von Öl usw. notieren.
- Das Verpackungsmaterial sichern und vor Entsorgung auf lose Funktionsteile untersuchen.
- Alle Schäden sofort an das Transportunternehmen melden. Die „Bedingungen für Schadensfälle“ einhalten.
- Zur Bearbeitung von Gewährleistungsansprüchen sind gegebenenfalls unter Einschluss von Fotos genaue Angaben über die Mängel zu machen. Dabei sind stets die Typenbezeichnung und die Seriennummer zu nennen.

3.4 Montage



GEFAHR

Lebensgefahr durch elektrischen Schlag

Spannungsführende Geräte und frei liegende Anschlusskabel können elektrische Schläge und somit schwere Unfälle verursachen.

- Arbeiten an elektrischen Anschlüssen dürfen ausschließlich von geschulten Elektrofachkräften ausgeführt werden.
- Vor der Montage sind alle Versorgungsleitungen zur getrennten Sicherung oder zum Hauptschalter stromlos zu schalten, und das Gerät ist gegen Wiedereinschalten zu sichern.
- Das Gerät auf Spannungsfreiheit prüfen.



VORSICHT

Quetschgefahr bei der Montage des Geräts

Bei der Montage besteht Quetschgefahr zwischen dem Schaltschrank und dem Rahmen des Geräts.

- Körperteile vom Raum zwischen dem Rahmen und der Geräteausparung fernhalten.
- Vorsichtig arbeiten und Handschuhe tragen.



HINWEIS

Gefährdung der Schaltschrankeinbauten durch Montagespäne

Beim Herstellen der Aussparungen für die Kühlgeräte können Montagespäne in den Schaltschrank fallen.

- Bei der Montage des Schaltschranks ist ein Schutz vor Verunreinigungen vorzusehen und es sind Schutzabdeckungen zu verwenden.

3.4.1 Allgemeine Montageanforderungen

Für den Schaltschrank einen Montageort auswählen, an dem eine ausreichende Lüftung für das Kühlgerät gewährleistet ist. Zwischen den Geräten und der nächstliegenden Wand ist ein Mindestabstand von 200 mm einzuhalten.

- Im Schaltschrank eingebaute Komponenten dürfen die Luftzirkulation nicht behindern.
- Die Einbauposition mit Abdeckungen vor starken Verunreinigungen schützen.
- Im Inneren des Schaltschranks muss ein Mindestabstand von 200 mm zwischen der Rückseite des Kühlgerätes und den nächstgelegenen Komponenten eingehalten werden, um den Luftstrom nicht zu behindern und den Zugang zur Schalttafel des Kühlgerätes während der Wartung und Instandhaltung zu ermöglichen.



VORSICHT

Um den sicheren und zuverlässigen Betrieb der Kühlgeräte zu gewährleisten, müssen die folgenden allgemeinen Anforderungen eingehalten werden:

- Den Schaltschrank gegen Umkippen sichern.
- Sicherstellen, dass die vorhandenen Scharniere das zusätzliche Gewicht des Kühlgeräts aufnehmen können.

3.4.2 Montage des DTS-Kühlgeräts (Seitenanbau)

Aussparungen für das DTS-Kühlgerät herstellen

ANFORDERUNGEN:

- Alle allgemeinen Anforderungen sind erfüllt.
- Das Gerät ist stromlos.

BENÖTIGTE WERKZEUGE UND MATERIALIEN:

- Säge
- Gegebenenfalls einen Schaltschrank-Trennschneider verwenden.
- Schutzabdeckungen

VORGEHEN:

- Den Schaltschrank mit einer Schutzabdeckung vor Spänen schützen.
- Am Schaltschrank Aussparungen und Bohrungen herstellen. Zu den vorgeschriebenen Abmessungen siehe die Abbildung mit der Außenansicht des Schaltschranks.
- Die Schnittkanten entgraten.
- Späne und Montageabfälle aus dem Schaltschrank entfernen.
- Die Aussparungen und Bohrungen sind hergestellt.

Die Dichtung am DTS-Kühlgerät einbauen (Seitenanbau)



GEFAHR

Unfallgefahr durch unsachgemäß eingebaute Dichtungen

Bei durchlässigen Dichtungen kann Feuchtigkeit eindringen und so Kurzschlüsse verursachen.

- Die Dichtung so einbauen, dass sie mit dem Schaltschrank dicht abschließt.
- Dichtungen sind bei der Reinigung und Wartung stets zu prüfen.

Dichtungseinbau und Montage

ANFORDERUNGEN:

- Die Aussparungen für das DTS-Kühlgerät sind hergestellt; siehe Abschnitt 2.6 zum jeweiligen Gerät.
- Das Kühlgerät ist stromlos.

BENÖTIGTE WERKZEUGE UND MATERIALIEN:

- Montagewerkzeug
- Zubehörsatz: Gewindebolzen, Schrauben, Muttern, Unterlegscheiben

VORGEHEN:

- Dichtungen am DTS-Gerät anbringen. Die Dichtungen mit den Schlitzöffnungen über den Montagelöchern des Geräts anbringen.
- Die beiden mitgelieferten Gewindebolzen (Zubehörsatz) in die oberen Befestigungspunkte des DTS-Kühlgeräts einschrauben. Das Kühlgerät mit den von außen eingesetzten Gewindebolzen am Schaltschrank einhängen. Die Schrauben am DTS-Kühlgerät an der Innenseite des Schaltschranks festziehen. Das Gerät mit den mitgelieferten Schrauben, Muttern und Unterlegscheiben (Zubehörsatz) befestigen. Die Befestigungsschrauben fest anziehen, so dass die Dichtung zusammengedrückt wird.
- Das DTS-Kühlgerät ist am Schaltschrank befestigt und für den elektrischen Anschluss bereit; siehe [Elektrischer Anschluss](#).

3.5 Elektrischer Anschluss

3.5.1 Elektroschaltplan Standard-Controller (SC)



GEFAHR

Lebensgefahr durch elektrischen Schlag

Spannungsführende Geräte und frei liegende Anschlusskabel können Gefahren durch elektrischen Schlag und somit schwere Unfälle verursachen.

- Arbeiten an elektrischen Anschlüssen dürfen ausschließlich von geschulten Elektrofachkräften ausgeführt werden.
- Vor dem Verlegen aller elektrischen Anschlüsse sicherstellen, dass das Gerät spannungsfrei ist.

3.5.2 Türkontaktschalter



WARNUNG

Gefahr durch Anschluss von Fremdspannung an den Eingang des Türkontakts

Fremdspannung kann schwere Unfälle verursachen.

- Der Anschluss von Fremdspannung an den Eingang der Schaltschranktür ist verboten.

Durch den Einbau eines Türkontaktschalters wird die Sicherheit erhöht und starke Kondensatansammlung vermieden.

- Wenn kein Türkontakt angeschlossen wurde, muss der Anschlusskontakt (S1) überbrückt werden.

Einbau des Türkontaktschalters

ANFORDERUNGEN:

- Das Kühlgerät ist stromlos.

VORGEHEN:

- Der Türkontaktschalter wird mit dem Anschluss X54 in 3 und 4 verbunden oder Elektroschaltplan in der Gehäuseabdeckung.
- Der Türkontakt wird bei den DTS-Geräten der Baureihen 3021/31/31 SS und 30X1 mit Hochspannung vom Kühlgerät versorgt.
- Der Türkontakt wird bei den DTS-Geräten der Baureihen DTS 31X1, 31X5, 32X1, 32X5, 34X1, 36X1, 34X1C und 36X1C mit Niederspannung von der Steuertafel versorgt.
- Der Türkontaktschalter ist angeschlossen. Die Motoren schalten sich aus, wenn der Schaltschrank geöffnet wird.

3.5.3 Hauptnetzanschluss



WARNUNG

Gefahrenpotenzial durch unsachgemäße Kabel

Bei falschem Kabelquerschnitt überhitzt sich das Kabel. Verbrannte Isolierungen können Brände verursachen.

- Der Kabelquerschnitt (4) entspricht der für den Stromverbrauch benötigten Leistung und beträgt 1–2,5mm² bzw. AWG 18 bis AWG 14.



GEFAHR

Lichtbögen können elektrische Schläge und Verbrennungen verursachen.

Beim Trennen und Verbinden des Netzanschlussteckers unter Last bzw. unter Spannung kann es zu Lichtbögen, gefährlichen Spannungen und elektrischen Schlägen kommen.

- Der Netzanschlusstecker darf niemals unter Last/Spannung eingesteckt bzw. gezogen werden.
- Arbeiten an Steckverbindern dürfen nur mit geeigneter Beleuchtung durchgeführt werden.
- Stets die Stromversorgung des Geräts trennen.

Für den sicheren und zuverlässigen Betrieb der Kühlgeräte müssen die folgenden allgemeinen Anforderungen erfüllt sein:

- Der vorgeschaltete Einbau eines zufuhrseitigen Temperaturreglers ist verboten.
- Die auf dem Typenschild spezifizierte vorgeschaltete Sicherung ist als Leitungsschutz anzuschließen; siehe [Typenschild](#).
- Darauf achten, dass die auf dem Typenschild vorgegebenen Bemessungswerte mit den tatsächlichen Werten von Netzspannung und Netzfrequenz übereinstimmen; siehe [Typenschild](#).
- Das Kühlgerät stets über eine Trennvorrichtung (Schalter/Schalterschütz) an das Netz anschließen.

HINWEIS: Zur Einhaltung der EU-Normen und zur Aufrechterhaltung der CE-Konformität (nur für Geräte mit vergossenen elektrischen Anschlusssteckern) muss folgende Änderung vollständig durchgeführt werden:

- Diese Schritte dürfen nur von einer qualifizierten Person ausgeführt werden.
- Mit Standard-Seitenschneider das Anschlusskabel ca. 90mm vom Anschlussstecker durchtrennen.
- Anschlussstecker entfernen
- Entfernen Sie mit dem Standard-Kabelabisolierwerkzeug die PVC-Kabelummantelung 50mm vom Leitungsende und entsorgen sie diese.
- Entfernen Sie mit einer Standardabisolierzange die PVC-Kabelummantelung von jedem einzelnen Draht 8mm vom Ende
- Entsorgen Sie alle entfernten Materialien
- Versehen sie die blanken Drahtenden nach den lokalen elektrischen Normen und Standard-Praktiken
- Verdrahtungsverbindungen wie folgt:
 - Phase – Braune Leitung
 - Neutral – Blaue Leitung
 - Schutzleiter – Grün/Gelber Leitung

Elektrischer Anschluss des Kühlgeräts

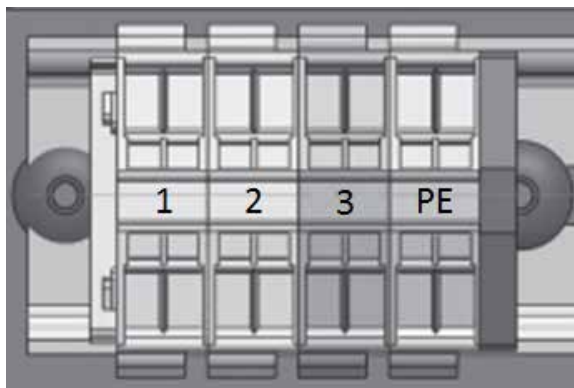
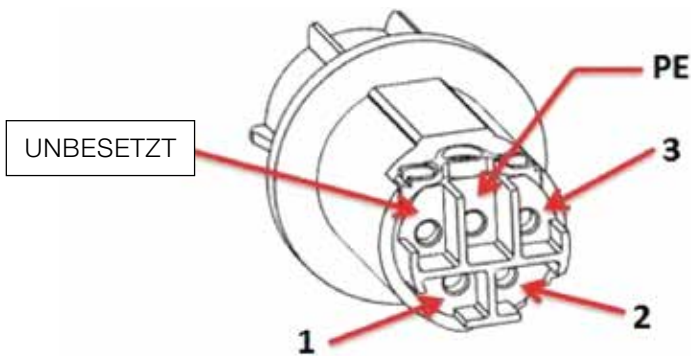


GEFAHR

Lebensgefahr durch elektrischen Schlag

Nicht ordnungsgemäß angeschlossene oder befestigte Schutzschaltersysteme können gefährliche Spannungen und elektrische Schläge erzeugen sowie schwere Unfälle verursachen.

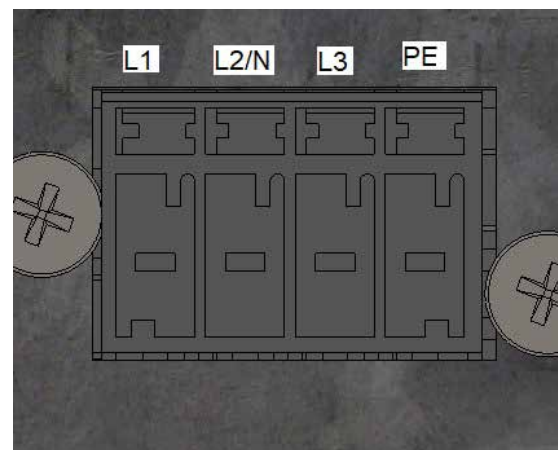
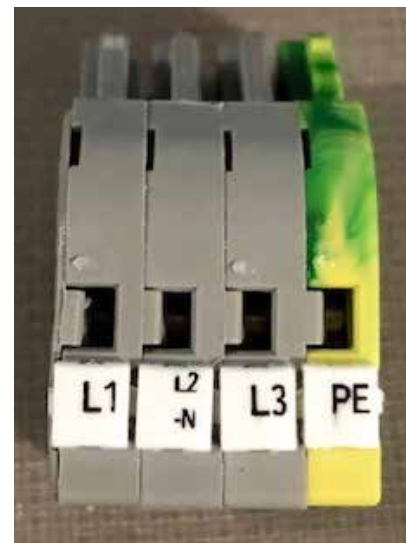
- Arbeiten an elektrischen Anschlüssen dürfen ausschließlich von geschulten Elektrofachkräften ausgeführt werden.
- Schutzschaltersysteme müssen nach DIN EN 60204-1, Kapitel 8.2 bereitgestellt werden.
- Alle Teile der elektrischen Ausrüstung müssen an das Schutzschaltersystem angeschlossen sein.
- Das Schutzschaltersystem darf in keinem Fall unterbrochen werden, wenn die elektrische Ausrüstung an Abdeckungen, Türen oder Abdecktafeln befestigt ist.
- Wenn Teile z. B. für Instandhaltungsarbeiten abgebaut werden, ist sicherzustellen, dass das Schutzschaltersystem für die verbleibenden Teile nicht unterbrochen wird.



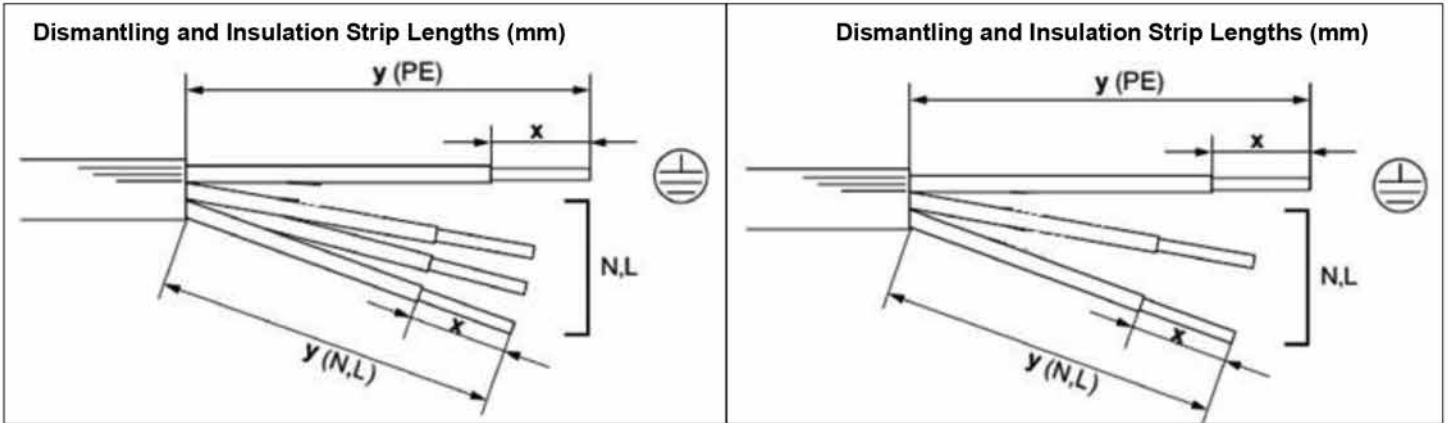
Siehe die Anschlusspläne:

	115V	230V	230V	460V	460V
1	L	L	L	L1	L1
2	N	N	L	L2	L2
3	-----	-----	-----	-----	L3
PE					

Nur DTS 34X1C und DTS 36X1C

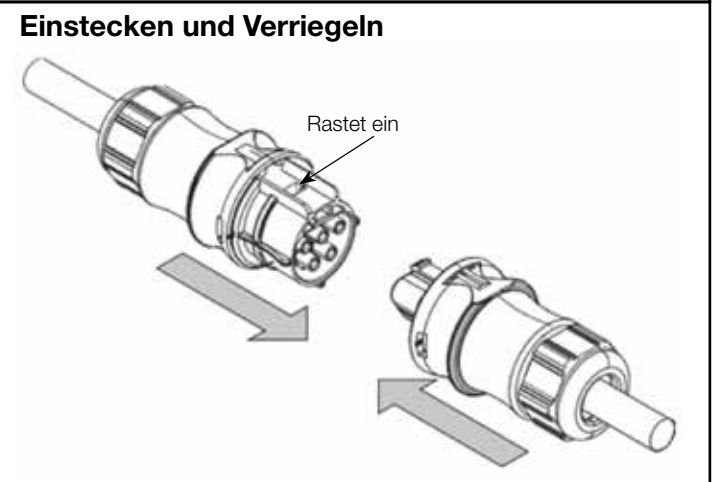
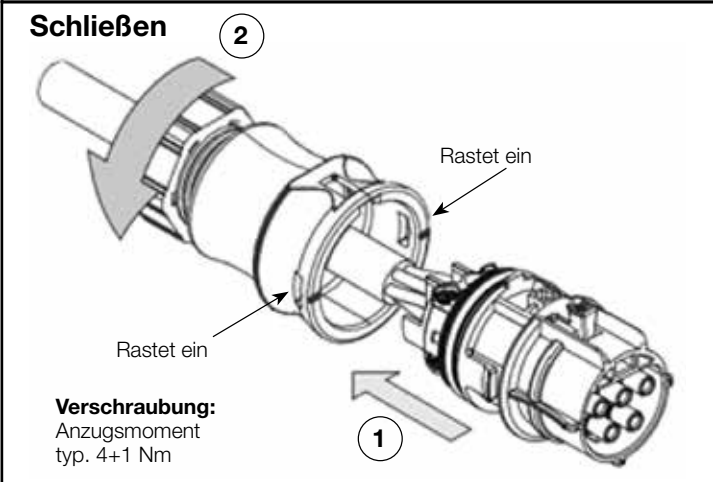
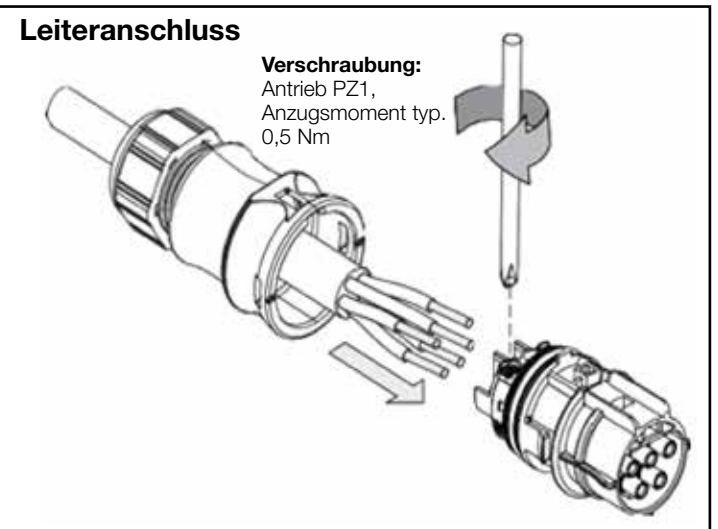
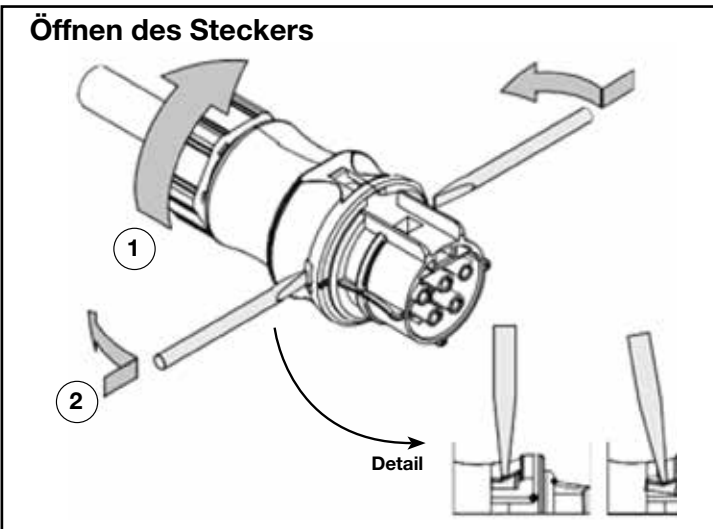


Teilbeschreibung: Anschlussanleitung



Verschraubungen

	Verbinder			
	Ø6...10 / Ø10...14		Ø13...18	
Zugentlastung				
Leiter	PE	N,L	PE	N,L
Ausbaulänge y (mm)	30	25	55	50
Ausbaulänge y (Splitterstecker)	45	40		
Abisolierlänge x (mm)	8 (Leiterquerschnitt 1,5 ... 4 mm ²)			





VORSICHT

Um die IP-Schutzart des Gehäuses aufrechtzuerhalten, müssen an allen unbelegten Steckverbindern Schutzkappen (Zubehör) angebracht werden! Außerdem dürfen auf die Steckverbinder keine Biegekräfte einwirken (z. B. dürfen keine Lasten am Kabel befestigt werden, aufgewickelte Kabel nicht frei hängen usw.). Die Steckverbinder sind nicht zum Unterbrechen des Stroms geeignet. Niemals unter Last verbinden oder trennen!

Anforderung

- Alle allgemeinen Anforderungen für den sicheren und zuverlässigen Betrieb sind sichergestellt; siehe [Hauptnetzanschluss](#).
- Das Kühlgerät ist stromlos.

Vorgehen

- Das Kabel wie im Elektroschaltplan dargestellt mit dem Anschlussstecker (Zubehörsatz) verbinden; siehe [Elektrischer Anschluss](#).
- Zum elektrischen Anschluss den Schraubendreher in die Käfigklemme einführen und die Kabel mit dem Anschlussstecker an das Kühlgerät anschließen.
- Den Schraubendreher fest in die Käfigklemme einführen. Den Schraubendreher dabei in keinem Fall verdrehen, da sonst die Käfigklemme beschädigt wird.
- Vor dem Einschalten sicherstellen, dass die Netzspannung der vorgeschalteten Sicherung entspricht; siehe [Elektrischer Anschluss](#).
- Das Kühlgerät ist nun elektrisch angeschlossen.

4 : BETRIEB

4.1 Allgemeine Funktionen



HINWEIS

Gefahr von Schäden am Kühlgerät

Ein Betrieb ohne Gerätedeckel verhindert die angemessene Luftzufuhr zum Verflüssiger und schränkt die vorgesehene Heizfunktion ein.

- Das Kühlgerät darf nur mit angebrachtem Gerätedeckel betrieben werden.
- Wenn die Montage- und Installationsarbeiten abgeschlossen sind, ist die Stromversorgung des Kühlgeräts einzuschalten.
- Wenn die Versorgungsspannung angeschlossen und die Tür geschlossen ist, laufen die Geräte kontinuierlich.
- Das Kühlgerät ist mit einer elektronischen Steuerungseinheit ausgestattet. Ein Temperatursensor erkennt die Temperatur der aus dem Innenraum des Schaltschranks angesaugten Luft.
- Bei Über- bzw. Unterschreitung der oberen bzw. unteren Temperaturgrenze wird eine Fehleranzeige ausgelöst.
- Die Umgebungsbedingungen und die Innentemperaturen im Schaltschrank müssen den vorgeschriebenen technischen Daten entsprechen, siehe [Technische Daten](#).
- Die Umgebungstemperatur muss unter 55 °C liegen (45 °C für DTS 3021/3031/3031 SS & 3041).

4.2 Betrieb des Kühlgeräts

- Nach Anschluss der Netzspannung schaltet das Gerät in den Betriebsmodus.
- Kühlbetrieb wie erforderlich; dieser erfolgt je nachdem, ob eine Temperaturschaltswelle (TSet) erreicht bzw. unterschritten wird.
- Der Kühlbetrieb schaltet sich ab, wenn die Temperaturschaltswelle (TSet) unterschritten wird.
- Verdampferlüfter (intern) und Verflüssigerlüfter (extern) schalten ab, wenn die Tür geöffnet wird.

Betriebsbedingungen

- Die Netzspannung muss im spezifizierten Bereich liegen; siehe [Elektrische Daten](#).
- Eine Abweichung von $\pm 10\%$ ist zulässig.
- Die Umgebungstemperatur muss unter 55 °C liegen (45 °C für DTS 3021/3031/3031 SS & 3041). Für weitere Optionen siehe [Technische Daten](#).
- Das Kühlgerät darf nur so betrieben werden, dass sichergestellt ist, dass die spezifizierte Kühlleistung den tatsächlichen Bedarf decken kann.
- Es darf nur das spezifizierte Kühlmittel verwendet werden.

5 : SERVICE UND WARTUNG

5.1 Allgemeine Reinigung



GEFHAR

Lebensgefahr durch elektrischen Schlag

Spannungsführende Geräte und frei liegende Anschlusskabel können elektrische Schläge und somit schwere Unfälle verursachen.

- Arbeiten an elektrischen Anschlüssen dürfen ausschließlich von geschulten Elektrofachkräften ausgeführt werden.
- Vor Arbeiten am Gerät sind alle Versorgungsleitungen zur getrennten Sicherung oder zum Hauptschalter stromlos zu schalten, das System ist zu trennen und gegen Wiedereinschalten zu sichern.
- Das Gerät auf Spannungsfreiheit prüfen.



WARNUNG

Unfallgefahren durch Beschädigung von Komponenten bei der Reinigung

Bei der Reinigung von Kühlgeräten mit Wasserstrahl, Dampfstrahl, Hochdruckreiniger oder scharfkantigen Gegenständen können die elektrischen und elektronischen Baugruppen beschädigt werden. Funktionsstörungen können Unfälle verursachen.

- Nicht mit Wasserstrahl, Hochdruckreiniger oder entflammbareren Reinigungsmitteln säubern.
- Elektrische Komponenten vor Eindringen von Feuchtigkeit schützen.
- Zum Reinigen der Rippen keine spitzen oder scharfkantigen Gegenstände verwenden. Die Rippen dürfen nicht verformt bzw. beschädigt werden.



VORSICHT

Quetschgefahren beim Abnehmen des Gerätedeckels

Beim Abnehmen und Wiederanbringen des Gerätedeckels können die Hände oder andere Körperteile gequetscht werden.

- Körperteile vom Raum zwischen Rahmen, Federn und Geräteausparung fernhalten.
- Vorsichtig arbeiten und Handschuhe tragen.

Die Häufigkeit der Reinigungsintervalle ist von den im konkreten Fall herrschenden Betriebsbedingungen abhängig. Für den sicheren und zuverlässigen Betrieb der Kühlgeräte müssen die folgenden Reinigungsarbeiten regelmäßig erfolgen:

- Entfernen von Staub und sämtlichen anderen Rückständen aus den Wärmetauschern.
- Regelmäßige Kontrolle des Kondensatabflusses.

5.2 Wartung



GEFAHR

Lebensgefahr durch elektrischen Schlag

Spannungsführende Geräte und frei liegende Anschlusskabel können elektrische Schläge und somit schwere Unfälle verursachen.

- Die Öffnung, Störungsbeseitigung und der Austausch von Komponenten am Gerät darf nur durch qualifizierte Mitarbeiter durchgeführt werden.
- Vor Arbeiten am Gerät stets sicherstellen, dass das Gerät stromlos ist.



WARNUNG

Gefahr durch unsachgemäße Wartungsarbeiten

Schäden an Komponenten und unsachgemäß ausgetauschte Komponenten können Unfälle verursachen.

- Vor Beginn von Wartungsarbeiten stets Trenner/Schalterschütz ausschalten.
- Für die elektrischen Komponenten eine Entladephase von 5 Minuten abwarten. Das Gerät erst danach öffnen.
- Sicherstellen, dass sich die Lüfter in Ruhestellung befinden und nicht mehr drehen.
- Nach Austausch der defekten Teile bzw. Komponenten das Gerät auf ordnungsgemäßen und sicheren Betrieb prüfen.
- Nach Abschluss der Wartung bzw. des Austauschs von Ersatzteilen den Kondensatabfluss auf volle Kapazität kontrollieren.



WARNUNG

Ersatzteile von Fremdherstellern können Schäden am Gerät sowie Unfälle verursachen.

- Nur Originalteile unterliegen der Qualitätskontrolle des Herstellers.
- Zum sicheren und zuverlässigen Betrieb nur speziell vereinbarte Herstellerteile verwenden.



HINWEIS

Gefahr von Geräteschäden durch unsachgemäß ausgeführte Wartung

Die Nichteinhaltung der empfohlenen Wartungsarbeiten verringert die Kühlleistung des Kühlgeräts und kann zu einer reduzierten Maschinenverfügbarkeit führen.

- Die Wartungsarbeiten sind regelmäßig wie in der Wartungstabelle vorgegeben auszuführen.
- Gewährleistungsansprüche gelten nur für Geräte, die gemäß der Spezifikationen gewartet wurden.

Pfannenberg empfiehlt dem Betreiber die folgenden Wartungsarbeiten:

- Wartungsarbeiten sind regelmäßig alle 12 Monate entsprechend der Wartungstabelle durchzuführen; siehe Vorlage für die Wartungstabelle.
- Bei Kühlgeräten, die in öl- und staubhaltiger Umgebungsluft kühlen, sind kürzere Wartungsintervalle erforderlich. Es gilt ein kürzerer Richtwert von zwei bis sechs Monaten zwischen den Wartungsintervallen

5.3 Vorlage für die Wartungstabelle

Wartungstabelle für das Kühlgerät

Wartungsintervall:

- Wartung alle zwölf Monate ausführen.
- Wartung alle zwei bis sechs Monate in öl- und staubhaltiger Umgebungsluft.

Typ: _____

Seriennummer: _____

Datum der Wartung: _____

Techniker: _____

	Bezeichnung des Gerätebereichs/ erforderliche Wartungsaufgaben	Sichtprüfung	Durchzuführen	Ergebnis
1	Aggregat vor der Wartung			
1.1	Allgemeine Sichtprüfung des Aggregats			
1.2	Prüfung auf Korrosionsschäden			
2	Verflüssiger / Wärmetauscher			
2.1	Prüfung auf allgemeine Korrosionsschäden			
3	Verflüssigerlüfter (extern)			
3.1	Eingebaute Einheit auf lose Teile untersuchen			
3.2	Elektrischen Anschluss auf Schäden prüfen			
3.3	Motorlager auf Geräusche kontrollieren			
3.4	Antrieb auf Anzeichen von Überhitzung kontrollieren			
4	Verdampferlüfter (intern)			
4.1	Eingebaute Einheit auf lose Teile untersuchen			
4.2	Elektrischen Anschluss auf Schäden prüfen			
4.3	Motorlager auf Geräusche kontrollieren			
4.4	Antrieb auf Anzeichen von Überhitzung kontrollieren.			

* Je nach Verschmutzungsgrad sind kürzere Wartungsintervalle zu wählen.

5.4 Stilllegung



WARNUNG

Verletzungsgefahr durch Materialien und Substanzen

Unsachgemäße Arbeiten am Gerät können gesundheitsschädlich sein.

- Vor Arbeiten am Gerät stets sicherstellen, dass das Gerät stromlos ist.
- Das Gerät muss von qualifizierten Mitarbeitern unter Einhaltung der geltenden Umweltvorschriften entsorgt werden.

Wenn das Kühlgerät für einen längeren Zeitraum nicht benötigt wird, muss es von der Spannungsversorgung getrennt werden.

- Sicherstellen, dass eine unbefugte Inbetriebnahme durch Dritte nicht möglich ist.

Endgültige Außerbetriebnahme



VORSICHT

Quetschgefahr bei der Außerbetriebnahme von Geräten

Beim Ausbau von Geräten können Hände und andere Körperteile gequetscht werden.

- Körperteile vom Raum zwischen Rahmen, Federn und Geräteausparung fernhalten.

Wenn Kühlgeräte endgültig außer Betrieb genommen bzw. entsorgt werden sollen, muss Folgendes eingehalten werden:

- Die im Anwenderland geltenden gesetzlichen Vorschriften und Umweltschutzregelungen müssen befolgt werden.
- Das Kältemittel muss fachgerecht aus dem Kältemittelkreislauf extrahiert werden. Kältemittlemissionen sind zu vermeiden.
- Das Kühlgerät darf nur durch autorisierte und qualifizierte Mitarbeiter entsorgt werden.

- Altgeräte können von Pfannenberg ordnungsgemäß entsorgt werden. Die Frachtkosten zur Lieferung an eine unserer Fertigungsstätten sind im Voraus zu zahlen.

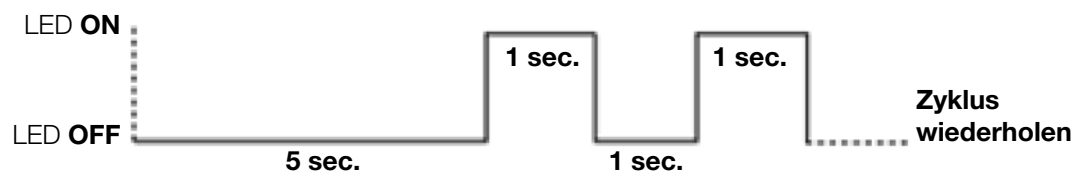
6 : STÖRUNGSBESEITIGUNG

Störung	Mögliche Ursachen	Abhilfemaßnahmen
Das Gerät kühlt nicht, Verdampferlüfter (intern) läuft	Temperatureinstellung zu hoch	Die Temperatureinstellung kontrollieren
Das Gerät kühlt nicht ausreichend	Betriebsgrenzwerte überschritten	Umgebungstemperatur und Innenlast überprüfen
	Zu wenig Kühlmittel	Autorisierte und qualifizierte Mitarbeiter hinzuziehen, das Gerät auf Undichtigkeiten kontrollieren
	Wärmetauscher verschmutzt	Den Wärmetauscher reinigen
	Verdampferlüfter (intern) defekt Verflüssigerlüfter (extern) defekt	Autorisierte und qualifizierte Mitarbeiter hinzuziehen, Lüfter austauschen
	Störung des Luftstroms innerhalb des Schrankes	Den Einbau und den Luftweg der im Schaltschrank zirkulierenden Luft kontrollieren
Den Zu- und Abluftstrom des Kühlgeräts zu den Ein- und Austrittsöffnungen des Schaltschranks kontrollieren		
Im Schaltschrank sammelt sich übermäßige Kondensation an	Die Temperatureinstellung ist zu niedrig	Die Temperatureinstellung kontrollieren
	Der Schaltschrank ist nicht ausreichend abgedichtet	Überprüfen, dass das Elektrogehäuse ordnungsgemäß abgedichtet ist
Kondensat wird nicht abgeleitet	Kondensatabfluss ist verstopft	Kondensat-Ablaufschlauch reinigen, sicherstellen, dass der Ablaufschlauch ohne Knicks nach unten weist

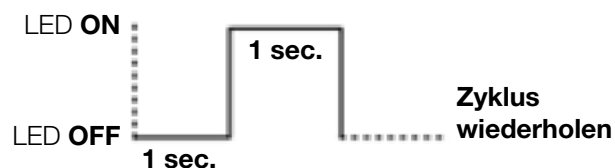
6.1 : LED-STATUSANZEIGEN

Gerätezustand	Technische Ursachen	Fehlerbehebung
Verdichter: ON Innenlüfter: ON Außenlüfter: ON Status-LED: Sequenz 3 Störmeldekontakt: Offen	Das Gerät befindet sich zurzeit im Testmodus. Bei Inbetriebnahme des Geräts durchläuft es einen 60-sek. Testmodus. In den ersten 30 Sekunden durchläuft nur die LED Sequenz 3. Nach 30 s gehen alle Lüfter und der Verdichter für 30 s in Betrieb	Gerät erhält gerade Strom und durchläuft den Testmodus. Keine Fehlerbehebung erforderlich.
Verdichter: OFF Innenlüfter: OFF Außenlüfter: OFF Status-LED: Sequenz 1 Störmeldekontakt: Geschlossen	Türschalter ist geöffnet. X54-Verbinder 3 und 4 sind nicht zusammen überbrückt oder die Schaltschranktür ist geöffnet	3 und 4 am Verbinder X54 überbrücken bzw. die Tür schließen, mit der das Gerät verbunden ist
Verdichter: OFF Innenlüfter: ON Außenlüfter: OFF Status-LED: Sequenz 2 Störmeldekontakt: Geöffnet	Hochdruckwächter oder Motorschutzschalter sind geöffnet (Überhitzung). Verdichter schaltet sich 30 s, nachdem er abgekühlt ist, automatisch wieder ein.	Filtermatte oder Wärmetauscher reinigen, damit die Luft frei hindurchströmen kann. Eventuell die Wärmeabführung im Schaltschrank überprüfen, um sicherzustellen, dass ein richtig bemessenes Gerät verwendet wird.
Verdichter: ON Innenlüfter: ON Außenlüfter: ON Status-LED: Sequenz 1 Störmeldekontakt: Geöffnet	Die Temperatur im Schaltschrank hat die eingestellte Alarmtemperatur überschritten (siehe Abschnitt 2.4.2).	Filtermatte oder Wärmetauscher reinigen, damit die Luft frei hindurchströmen kann. Eventuell die Wärmeabführung im Schaltschrank überprüfen, um sicherzustellen, dass ein richtig bemessenes Gerät verwendet wird.

**Sequenz 1:
Fehler durch Nutzer**



**Sequenz 2:
technischer Fehler**



**Sequenz 3:
Test/Start-Modus**



7 : ZUBEHÖR

Positionsnummer	Bezeichnung	Positionsnummer	Bezeichnung
18881500008	Filtersatz DTS 3021/3031	18881500010	Filtersatz DTS 34x1, 34X1C, 36X1C
18881500005	Filtersatz DTS3041/3061	18881500004	Filtersatz DTS 36x1
18881500009	Filtersatz DTS 31x1	18314000100	Kondensatflasche für alle Geräte
18380000025	Filtersatz DTS 31x1 SL / 31X5	18314000001	Externes Kondensat-Verdunstungssystem-KV PTC, 115 230 V 50/60 Hz
18881500001	Filtersatz DTS 32x1		
18881500007	Filtersatz DTS 32X5		

Hinweis: Beim Bestellen von Ersatzteilen und Zubehörteilen stets die Teilenummern von Pfannenberg angeben.

8 : GARANTIEBEDINGUNGEN

In den folgenden Fällen gilt keine bzw. erlischt die Gewährleistung:

- Unsachgemäße Verwendung des Geräts.
- Nichteinhaltung der Betriebsbedingungen bzw. Nichtbeachtung der Betriebsanleitung.
- Keine regelmäßige Wartung der Kühlgeräte.
- Schäden aufgrund der Nichtbeachtung von Wartungsempfehlungen.
- Schäden an Kühlgeräten durch verschmutzte oder verstopfte Filter.
- Schäden aufgrund eigenmächtiger Öffnung des Kältemittelkreislaufs.
- Am Gerät vorgenommene Änderungen oder Änderung der Seriennummer.
- Im Falle einer Beschädigung beim Transport oder anderer Unfälle.
- Austausch von Teilen durch unbefugte Mitarbeiter.
- Nur Originalteile von Pfannenberg sind für die Verwendung zulässig. Verstöße führen zum Erlöschen der Gewährleistung.

Zur Anerkennung von Gewährleistungsansprüchen und Rücklieferung des Geräts ist Folgendes zu beachten:

- Zum Kühlgerät eine genaue Beschreibung des Mangels und die von Pfannenberg vorgegebenen SRO- (RMA-) Nummern angeben.
- Ein Referenzdokument beifügen (Kopie des Lieferscheins oder der Rechnung).
- Das Kühlgerät komplett mit dem gesamten Zubehör in der Originalverpackung oder in einer vergleichbaren Verpackung mit im Voraus bezahlten Gebühren für Fracht und Transportversicherung an uns senden.
- Die Transporthinweise beachten; siehe [Transport](#).

Pfannenberg Incorporated
68 Ward Road, Lancaster, New York 14086
Phone: 716-685-6866
Fax: 716-681-1521
email: sales@pfannenbergusa.com

www.pfannenbergusa.com

Alle hier enthaltenen Informationen wurden 2018 gründlich überprüft.
Dennoch übernehmen wir keine Gewähr für die Vollständigkeit und Richtigkeit der Spezifikationen.

885408007 Rev 5
© 2018 Pfannenberg Incorporated