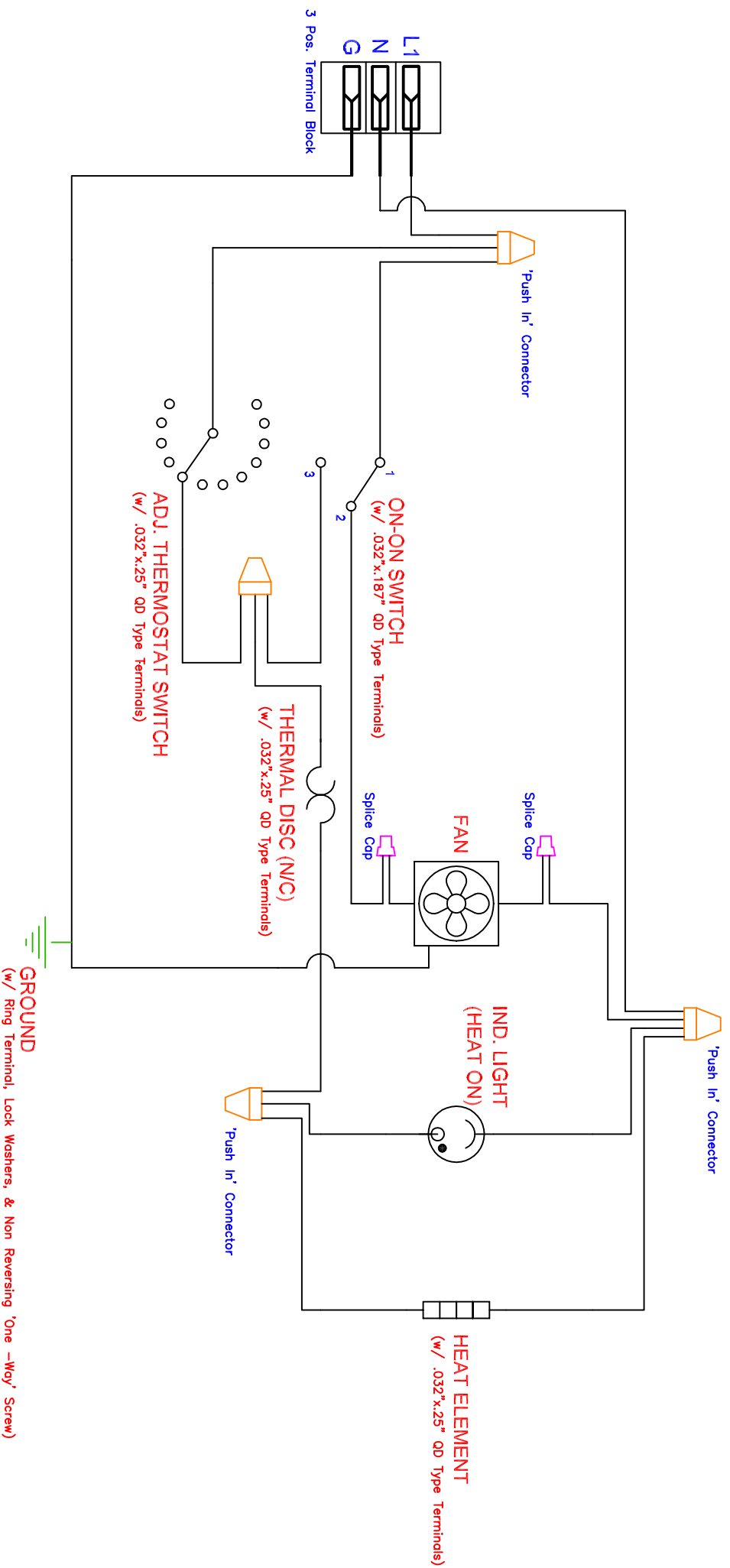


NOTES

Notes: - Internal Wiring, 16 AWG, 600V, 125°C



THIS DRAWING IS PROPRIETARY INFORMATION OF HAMMOND MFG.CO.LTD. NOT TO BE USED WITHOUT EXPRESSED WRITTEN PERMISSION OF HAMMOND MFG.CO.LTD.

Rev	ECN	Description	Date	By

Dwn	R.B.	ATI HAMMOND MANUFACTURING CO. LTD.
Date	13/09/09	ATI Electronics Group, Waterloo, Ont.
CHK	---	HEATER WIRING SCHEMATIC (FLHTF 120Vac MODELS)
Mod'l	---	
Sheet	1 of 1	Part#:
Dwg:		