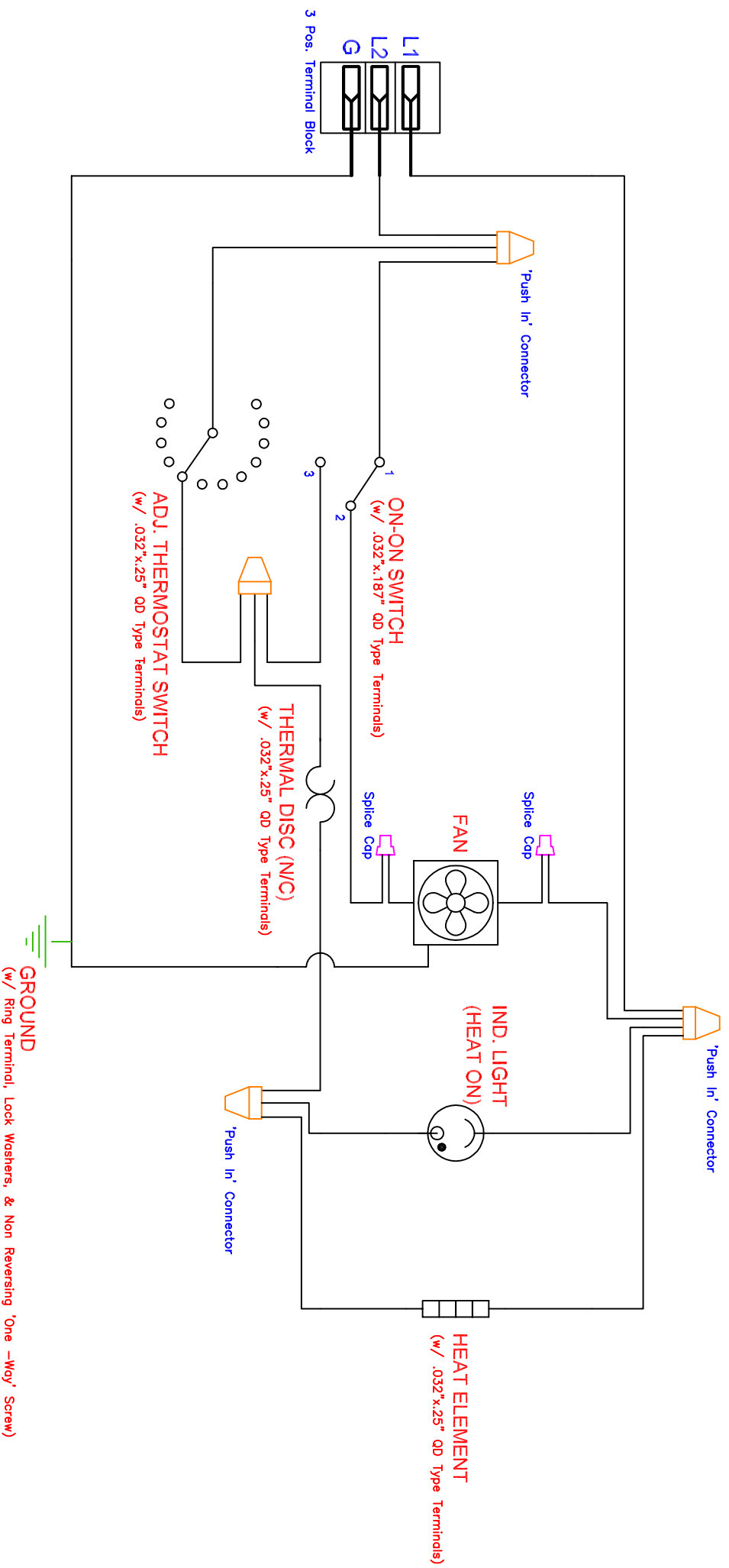


NOTES

Notes: - Internal Wiring, 16 AWG, 600V, 125°C



THIS DRAWING IS PROPRIETARY INFORMATION OF HAMMOND MFG.CO.LTD. NOT TO BE USED WITHOUT EXPRESSED WRITTEN PERMISSION OF HAMMOND MFG.CO.LTD.

Rev	ECN	Description	Date	By

Dwn	R.B.	Part#:	Dwg:
Date	13/09/09		
CHK			
Mod'l			
Sheet	1 of 1		

ATI HAMMOND MANUFACTURING CO. LTD.
 ATI Electronics Group, Waterloo, Ont.

HEATER WIRING SCHEMATIC
 (FLHTF 240Vac MODELS)