

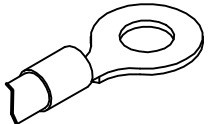

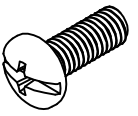

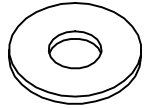



HAMMOND MANUFACTURING™

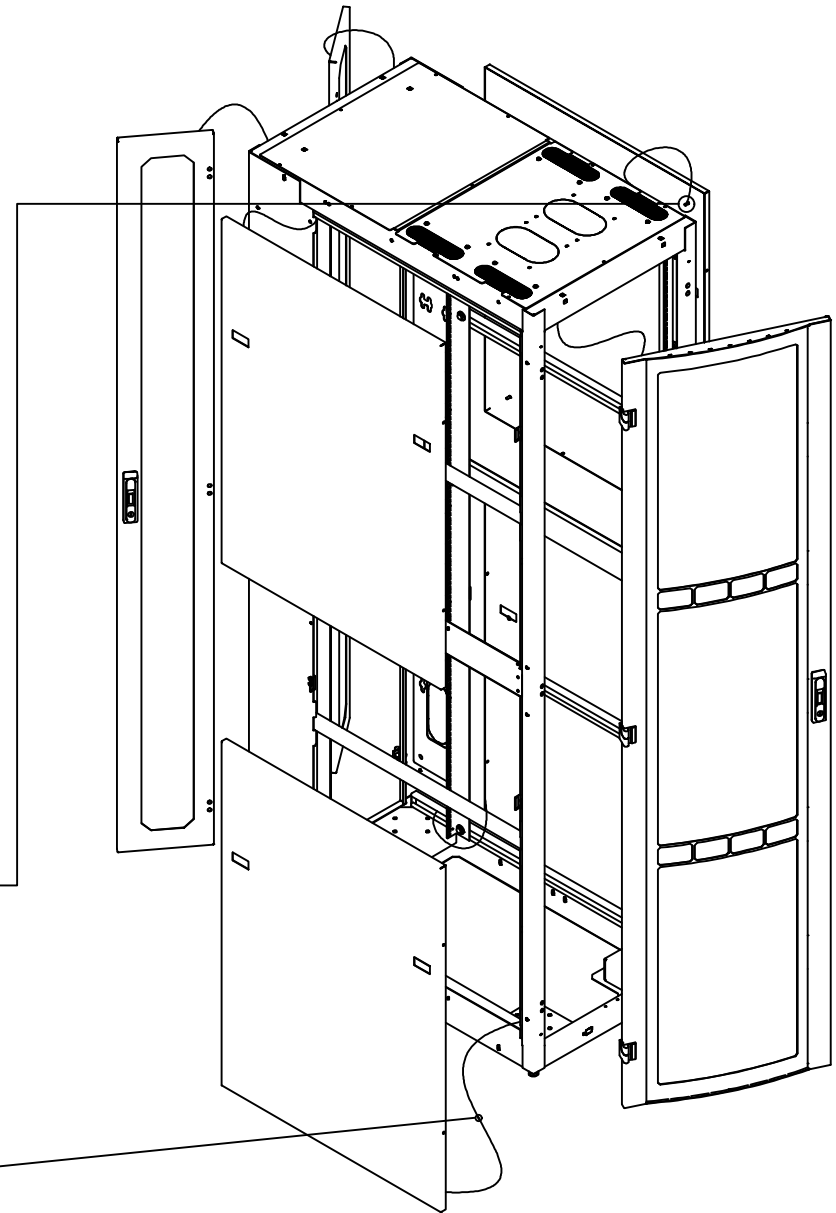


H1GRDKIT QUICK CONNECT GROUNDING KIT

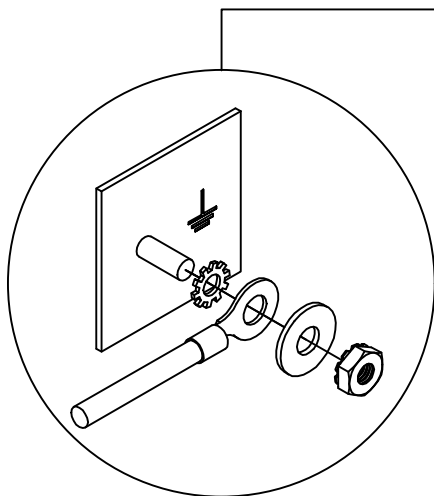
www.hammondmfg.com

		
GROUND CABLE 4x12" & 3x22"	LOCKING NUT (14x)	SCREW (14x)
		
GROUND STICKER (14x)	FLAT WASHER (14x)	LOCKTOOTH WASHER (14x)

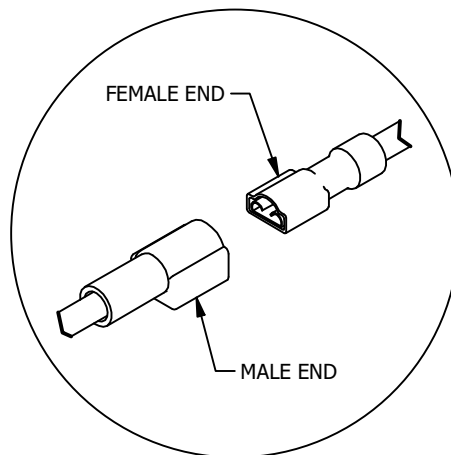
*NOTE - HARDWARE IS INCLUDED WITH BOTH #10-32 AND 1/4"-20 THREAD (MALE & FEMALE)



ENCLOSURE W/ GROUNDING KIT



PEM STUD ASSEMBLY
(TYPICAL)



QUICK DISCONNECT