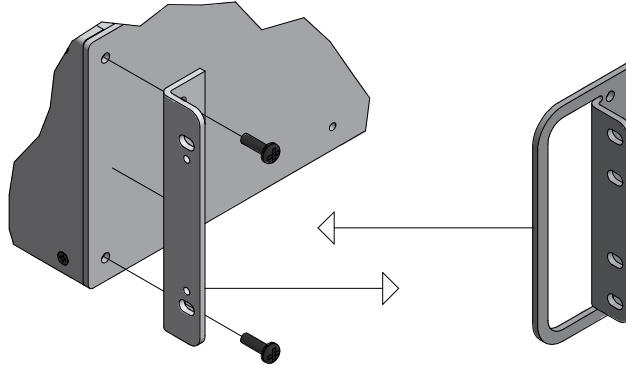
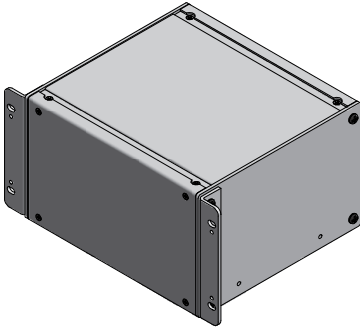
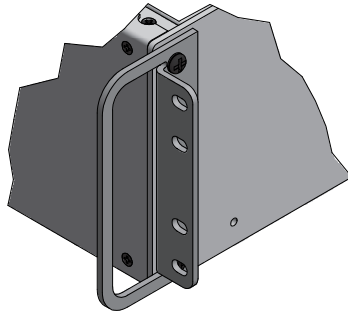
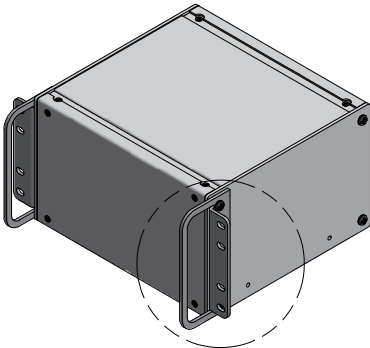


**STEP 1:
REMOVE BRACKET
HARDWARE**



**STEP 2:
ATTACH HANDLE WITH
HARDWARE FROM BRACKET**



Enclosures can be Factory Modified (Milling, Drilling, Printing etc.)
Contact Factory mjm@hammondmfg.com for quotes
Solid models of this enclosure available in STEP or IGES.

