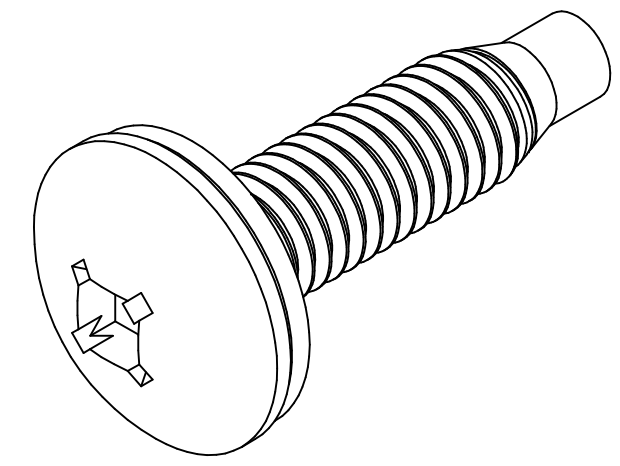
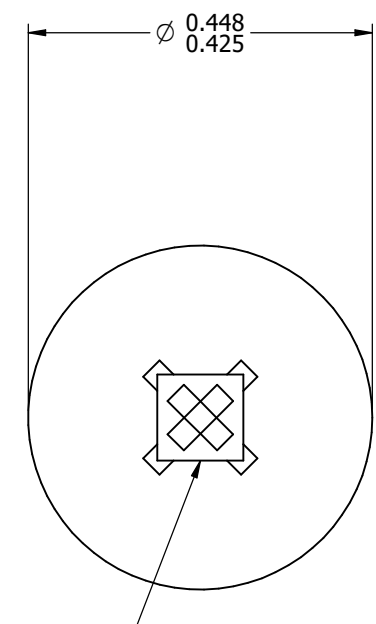


Screw Material: 1022 Low Carbon Steel
 Screw Finish: Black Oxide
 Washer Material: Black Nylon 6/6
 Washer Inside Diameter: 0.203" Reference
 Washer Outside Diameter: 0.429"-0.445"
 Washer Thickness: 0.024"-0.040"
 Washer Must Remain Captive and Free to Rotate
 Must Be RoHS And Reach Compliant
 Harden Per ASME B18.6.3 - Latest Revision - Through Harden: RC 25-38
 Screw Can Be Fully Threaded

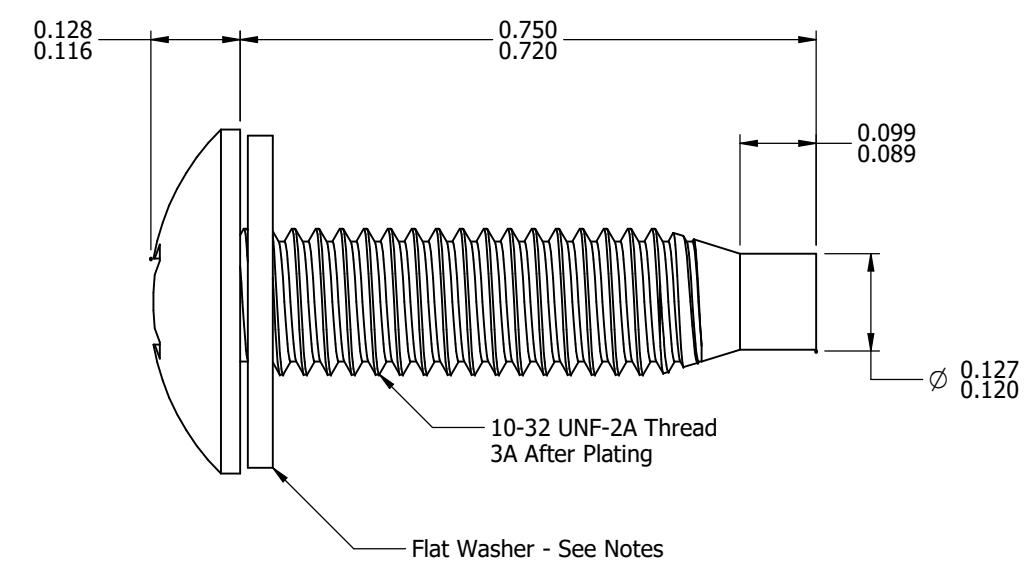
REV	ECN	DESCRIPTION	DATE	ENGR	CHK'D
A	N/A	RELEASED	JAN 14-22	MO	PB



ISOMETRIC VIEW



Quadrex
 #2R Type-III Square Recess
 Penetration Gaging Depth: 0.068"-0.080"
 #2 Phillips/Square Recess
 Penetration Gaging Depth: 0.088"-0.100"



*NOTES: ALL DIMENSIONS ARE IN INCHES
 IMAGES ARE FOR ILLUSTRATION PURPOSE ONLY
 DATA SUBJECT TO CHANGE WITHOUT NOTICE

UNLESS OTHERWISE SPECIFIED
 ALL DIMENSIONS ARE SHOWN IN INCHES.

TOLERANCES - UNLESS OTHERWISE INDICATED				
DIMENSION	UNDER 6"	6" TO 24"	OVER 24"	OVER 48"
FRACTION	± 1/32"	± 3/64"	± 1/16"	± 1/8"
.XX	± 0.04"	± 0.05"	± 0.06"	± 0.13"
.XXX	± 0.025"	± 0.020"	± 0.020"	± 0.030"
HOLE	± 0.005"			
ANGLE	± 1°			

n/a		n/a		PART No. SCS87100	
MODIFIED FROM		NEXT ASSEMBLY		HAMMOND MANUFACTURING CO. LTD Enclosure Group	
DWN	mojikutu	SHEET SIZE	B		
DATE	14-Jan-2022	THIS DRAWING IS PROPRIETARY INFORMATION OF HAMMOND MFG. CO. LTD. NOT TO BE USED WITHOUT EXPRESSED WRITTEN PERMISSION OF HAMMOND MFG. CO. LTD.			
CHK.		TITLE: 10-32 Quadrex Truss Head Screw			
AUTH.		SCALE: 4:1 DWG: SCS87100 SHEET: 1 OF 1			
MAT'L		CAD DATA ONLY: DO NOT MANUALLY UPDATE			