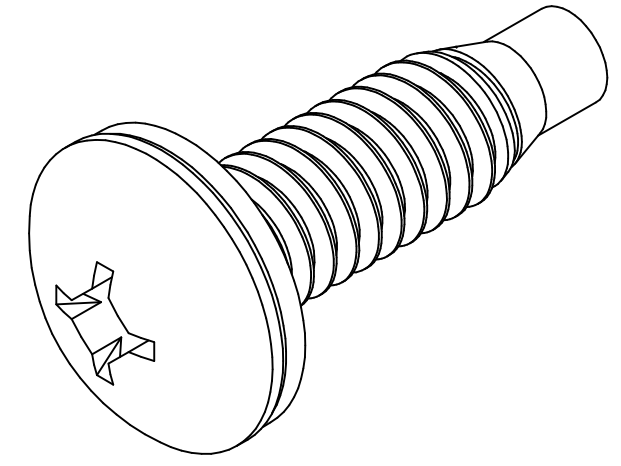
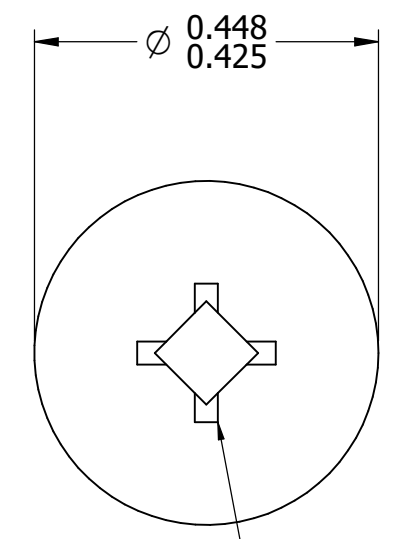


NOTES:  
 Screw Material: 1022 Low Carbon Steel  
 Screw Finish: Black Oxide  
 Washer Material: Black Nylon 6/6  
 Washer Outside Diameter: 0.429"-0.439"  
 Washer Thickness: 0.030"-0.040"  
 Must Be Heat Treated To ANSI B18.6.3 Spec  
 Must Be RoHS And Reach Compliant

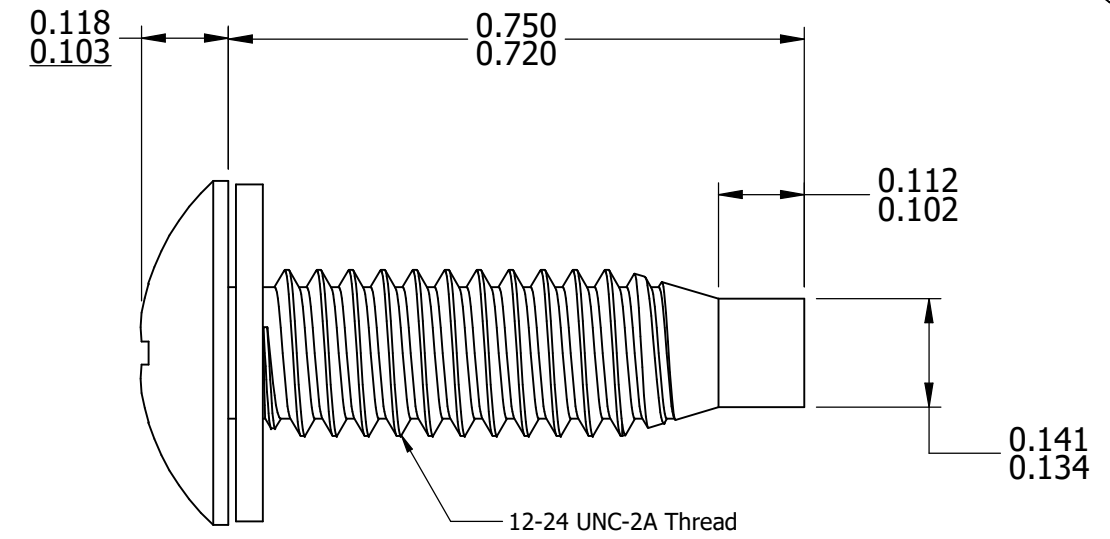
REV	ECN	DESCRIPTION	DATE	ENG'R	CHK'D
A	N/A	RELEASED	JAN 14-22	MO	PB



ISOMETRIC VIEW



#2 Phillips Square Recess  
 Square Penetration Gaging Depth: 0.060"-0.075"



\*NOTES: ALL DIMENSIONS ARE IN INCHES  
 IMAGES ARE FOR ILLUSTRATION PURPOSES ONLY  
 DATA SUBJECT TO CHANGE WITHOUT NOTICE

UNLESS OTHERWISE SPECIFIED  
 ALL DIMENSIONS ARE SHOWN IN INCHES.

TOLERANCES - UNLESS OTHERWISE INDICATED:				
DIMENSION	UNDER 6"	6" TO 24"	OVER 24"	OVER 48"
FRACTION	± 1/32"	± 3/64"	± 1/16"	± 1/8"
.XX	± 0.04"	± 0.05"	± 0.06"	± 0.13"
.XXX	± 0.025"	± 0.020"	± 0.020"	± 0.030"
HOLE	± 0.005"			
ANGLE	± 1°			

n/a		n/a		<b>PART No. SCREW1224</b>	
MODIFIED FROM		NEXT ASSEMBLY		<b>HAMMOND MANUFACTURING CO. LTD</b> Enclosure Group	
DWN	mojikutu	SHEET SIZE	THIS DRAWING IS PROPRIETARY INFORMATION OF HAMMOND MFG. CO. LTD. NOT TO BE USED WITHOUT EXPRESSED WRITTEN PERMISSION OF HAMMOND MFG. CO. LTD.		
DATE	14-Jan-2022	B	TITLE: 12-24 Quadrex Truss Head Screw		
CHK.					
AUTH.					
MAT'L					
CAD DATA ONLY: DO NOT MANUALLY UPDATE			SCALE: 4:1	DWG: SCS87573	SHEET: 1 OF 1