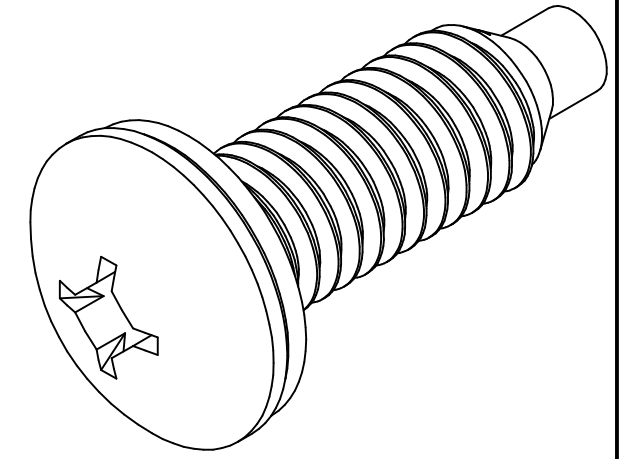
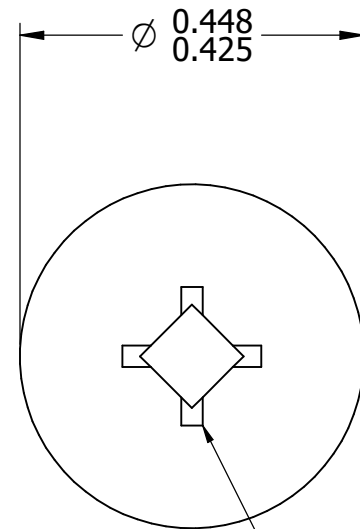


Screw Material: Low Carbon Steel - Through Harden Per ASME B18.6.3  
 Screw Coating: Black Oxide  
 Washer Material: Black 6/6 Nylon  
 Washer Outside Diameter: 0.429"-0.439"  
 Washer Thickness: 0.030"-0.040"  
 Complete Part Must be RoHS and REACH Compliant

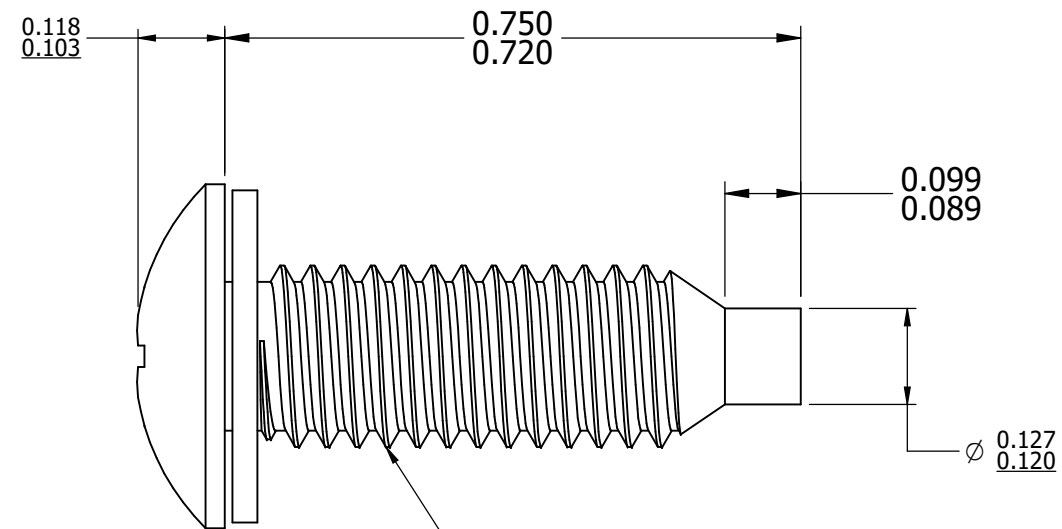
REV	ECN	DESCRIPTION	DATE	ENG'R	CHK'D
A	N/A	RELEASED	JAN 14-22	MO	PB



ISOMETRIC VIEW



#2 Combination Phillips Square Recess  
 Square Penetration Gaging Depth: 0.060"-0.075"



M6-1.0 6g Thread

\*NOTES: ALL DIMENSIONS ARE IN INCHES  
 IMAGES ARE FOR ILLUSTRATION PURPOSES ONLY  
 DATA SUBJECT TO CHANGE WITHOUT NOTICE

UNLESS OTHERWISE SPECIFIED  
 ALL DIMENSIONS ARE SHOWN IN INCHES.

TOLERANCES - UNLESS OTHERWISE INDICATED:				
DIMENSION	UNDER 6"	6" TO 24"	OVER 24"	OVER 48"
FRACTION	± 1/32"	± 3/64"	± 1/16"	± 1/8"
.XX	± 0.04"	± 0.05"	± 0.06"	± 0.13"
.XXX	± 0.025"	± 0.020"	± 0.020"	± 0.030"
HOLE	± 0.005"			
ANGLE	± 1°			

n/a		n/a		<b>PART No. SCREWM6</b>	
MODIFIED FROM		NEXT ASSEMBLY			
DWN	mojikutu	SHEET SIZE	<b>HAMMOND MANUFACTURING CO. LTD</b>		
DATE	14-Jan-2022	<b>B</b>	Enclosure Group		
CHK.			THIS DRAWING IS PROPRIETARY INFORMATION OF HAMMOND MFG. CO. LTD. NOT TO BE USED WITHOUT EXPRESSED WRITTEN PERMISSION OF HAMMOND MFG. CO. LTD.		
AUTH.			TITLE: <b>M6 Quadrex truss head screw</b>		
MAT'L			SCALE: 4:1	DWG: SCS87574	SHEET: 1 OF 1
CAD DATA ONLY: DO NOT MANUALLY UPDATE					