

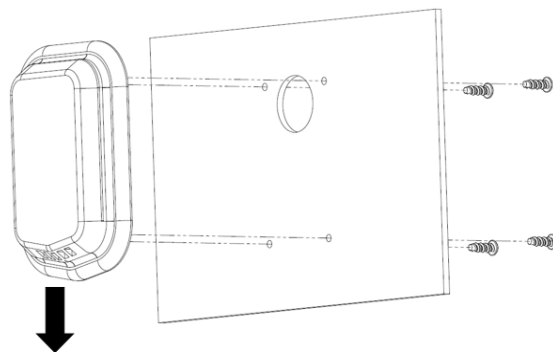
Instructions for Installing 4X VENT

**NOTE: Philips Screw
is required to install**

**Driver or similar tool
cover.**

1. Punch out the template holes.
2. Place templates on a flat smooth surface. Align templates so the top of the template is facing the top of the enclosure and mark hole locations as shown.
3. Remove template and drill or cut 4 mounting holes, 3/16 OR (.188 DIA) and vent opening (1 in. DIA) accordingly.
4. Mount 4X vent with supplied mounting hardware on exterior of enclosure, making sure the vent slots are pointing downward. Hardware applicable to mounting surface thickness of .059" - .250". Hardware torque specification 12 - 15 in-lbs.
5. Venting per enclosure: Recommended 2 vents on opposite sides; one high, one low. Consider specifics per application.
6. Hardware included:
 - 70-81812316 quantity 8. 8-18 x ½" long hi-low screw.

**Vent slots must be
pointing downward**



Hammond Manufacturing Ltd.
www.hammondmfg.com



NEMA 4X VENTILATION KIT
Installation Instructions for 4X Ventilation Kit
SDVN4XN2
