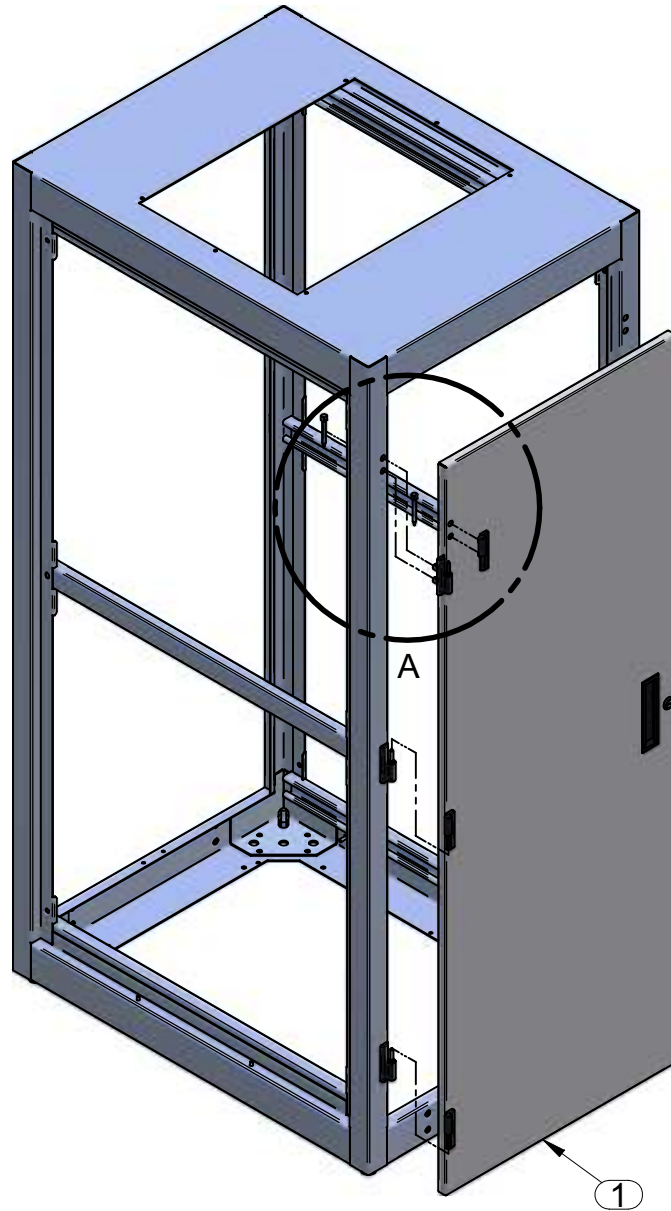


DETAIL A
TYP 3 PLS



ASSEMBLY INSTRUCTIONS:

- A) Locate each half of hing as shown typical 3 places.
- B) Lift door onto hinge pins located on cabinet frame.

NOTE: For right hand hinges order part #C4RHINGE.

| PARTS LIST | | |
|------------|------------------|-----|
| ITEM No. | DESCRIPTION | QTY |
| 1 | C4 DOOR ASSEMBLY | 1 |
| 2 | HINGE ASSEMBLY | 3 |

TOOL BOX



visit our website @ www.hammondmfg.com