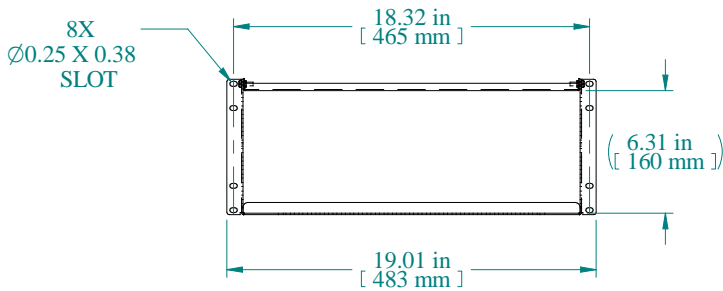
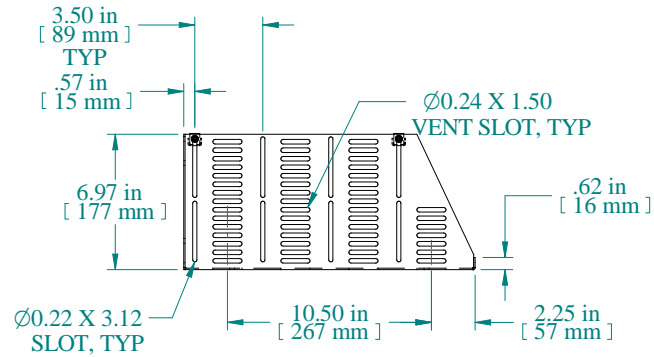


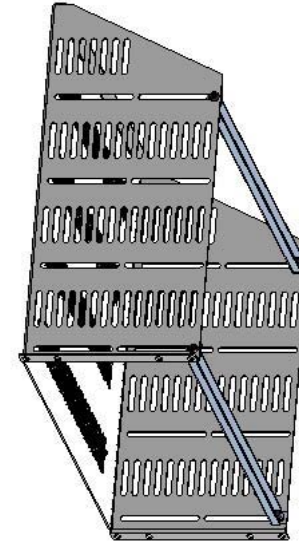
TOP VIEW



FRONT VIEW



SIDE VIEW

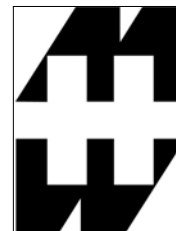


| Item Number | Title                       | Quantity |
|-------------|-----------------------------|----------|
| 1           | RACSV - CLAMPING SHELF (4U) | 1        |
| 2           | RACS - CLAMPING BRACKET     | 2        |
| 3           | SCREW 10-32 X 5/8"          | 4        |

Data subject to change without notice. Isometric drawing not to scale.

| PART NUMBERS   |                        |
|----------------|------------------------|
| RACSV190715BK1 | PAINTED BLACK TEXTURED |

| NOTES  |
|--|
| Maximum Weight 200 lb<br>Hardware for Clamping Brackets Included<br>Mounting Hardware Not Included |



**HAMMOND  
MANUFACTURING™**

www.hammondmfg.com

PART NO. RACSV190715