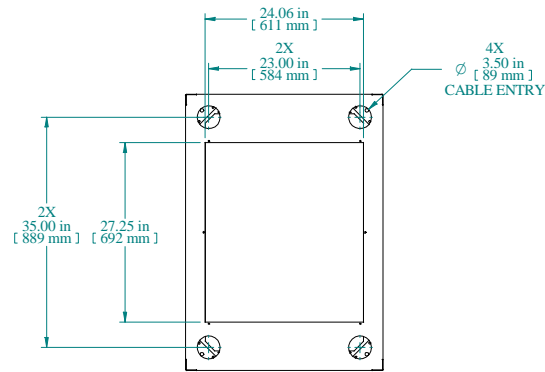
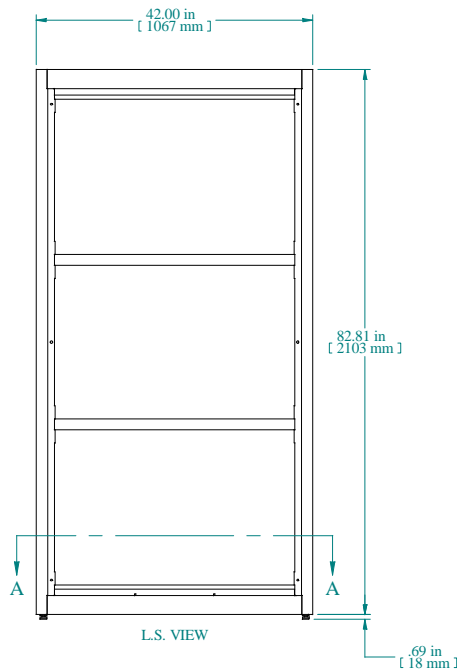


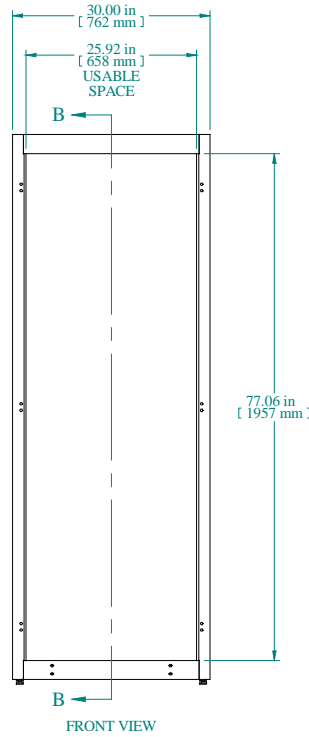
SECTION A-A



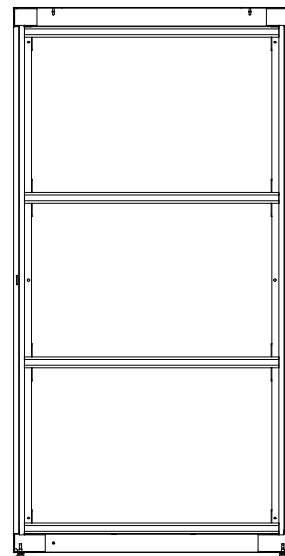
TOP VIEW



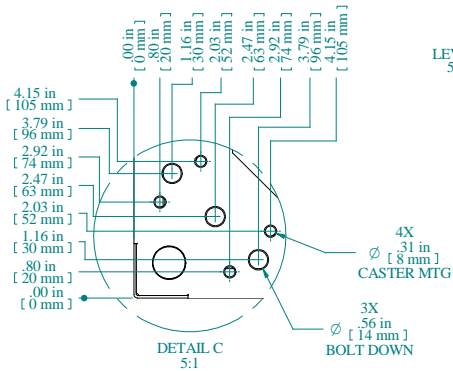
L.S. VIEW



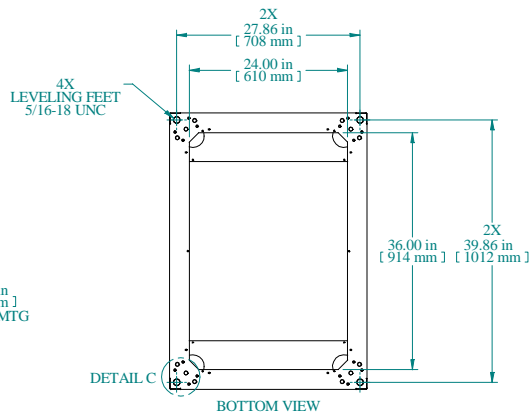
FRONT VIEW



SECTION B-B



DETAIL C
5:1



BOTTOM VIEW

PART NUMBERS	
C4F307742BK1	PAINTED BLACK TEXTURED
NOTES	
Welded Assembly	
See Hammond Website for Additional Accessories	

Data subject to change without notice. Isometric drawing not to scale.



**HAMMOND
MANUFACTURING™**

www.hammondmfg.com

PART NO. C4F307742